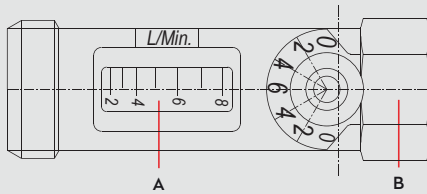


DN 15-20

SERIE 116



Materials



Material Code

A = Plexiglass

B = Brass



0 - 10 bar



-40° to + 105°C (NBR)

Shut Off
Type



TST 116.08

OM200 - 1300
OM178 - 01280
OM150 - 00200

TST 116.10 / 116.12

OM 157 - 00400
OM 178 - 01955
OM 178 - 01480

FLOW

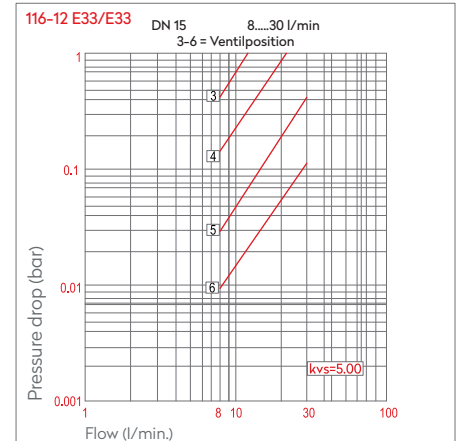
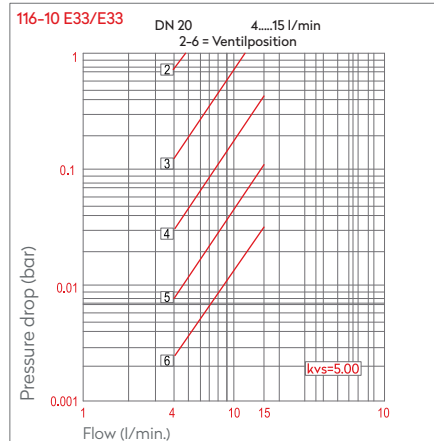
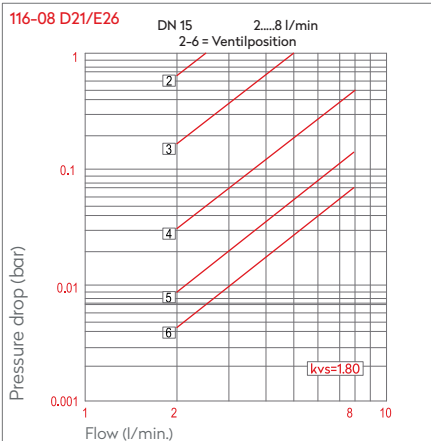
TST 116.08

Minimum → 2 lt/min
Maximum → 8 lt/min

TST 116.10/116.12

Minimum → 8 lt/min
Maximum → 30 lt/min

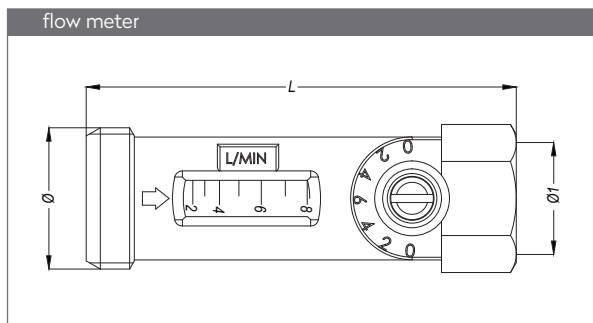
DN 15 - 20 mm



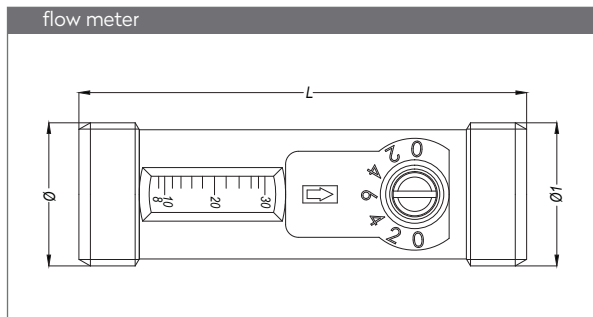
SERIE 116



FLOW METER FLUßMETER



Part No.	Ø1	Ø	SW	L
	Female (F)	Male (M)		
116-08 D21/E26	BSP 1/2"	BSP 3/4"	24	80.5



Part No.	Ø1	Ø	SW	L
	Male (M)	Male (M)		
116-10 E33/E33	BSP 1"	BSP 1"	30	104
116-12 E33/E33	BSP 1"	BSP 1"	30	104