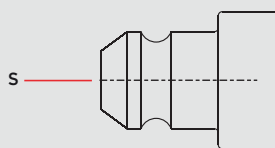
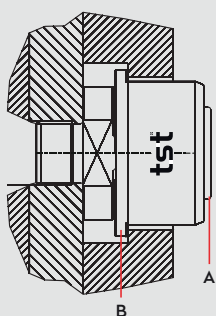


EJECTOR COUPLINGS

AUSWERFERKUPPLUNGEN

# SERIE 300

## Materials



## Material Code

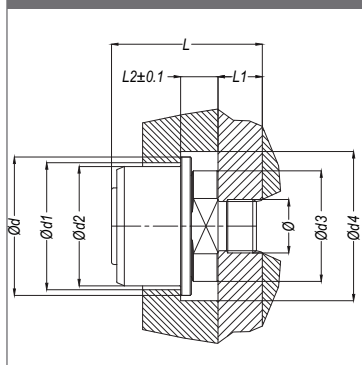
A = Steel Hardened

B = Steel Hardened

S = Steel Hardened

## QUICK COUPLINGS SCHNELLKUPPLUNGEN

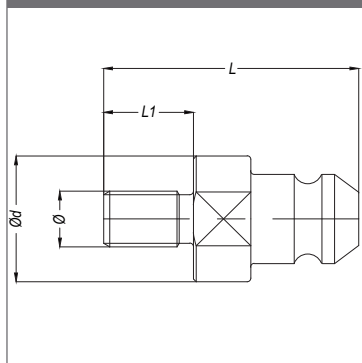
with male thread



Part No.	Ø	Ød	Ød2	Ød3	Ød	Ød4	L	L1	L2	Pull Force kg
300.01 EGM 12x1.75 - E2	M12x1.75	34	32	32	39	44	42.5	15	9	1500
300.01 EGM 16 - E2	M16x1.5	34	32	32	39	44	42.5	15	9	1500
300.02 EGM 16 - E2	M16x1.5	40	38	38	48	53	52	15	13	2400
300.02 EGM 16x2.0 - E2	M16x2.0	40	38	38	48	53	52	15	13	2400
300.03 EGM 16 - E2	M16x1.5	58	56	52.5	65	70	68	18	17	3200
300.03 EGM 18 - E2	M18x1.5	58	56	52.5	65	70	68	18	17	3200
300.03 EGM 20 - E2	M20x1.5	58	56	52.5	65	70	68	18	17	3200
300.03 EGM 24 - E2	M24x1.5	58	56	52.5	65	70	68	18	17	3200
300.03 EGM 27 - E2	M27x1.5	58	56	52.5	65	70	68	18	17	3200
300.03 EGM 30 - E2	M30x1.5	58	56	52.5	65	70	68	18	17	3200

## PLUGS STECKNIPPEL

with male thread



Part No.	Ø	Ød	L	L1
300.01 EUM 10x1.5	M10x1.5	22.8	45.5	20
300.01 EUM 12x1.75	M12x1.75	22.8	45.5	20
300.01 EUM 14x2.0	M14x2.0	22.8	45.5	20
300.01 EUM 16x2.0	M16x2.0	22.8	45.5	20
300.02 EUM 10x1.5	M10x1.5	25.8	55	20
300.02 EUM 12x1.75	M12x1.75	25.8	55	20
300.02 EUM 14x2.0	M14x2.0	25.8	55	20
300.02 EUM 16x2.0	M16x2.0	25.8	55	20
300.03 EUM 16x2.0	M16x2.0	35.35	68	25
300.03 EUM 18x2.5	M18x2.5	35.35	68	25
300.03 EUM 20x2.5	M20x2.5	35.35	68	25
300.03 EUM 24x3.0	M24x3.0	35.35	68	25
300.03 EUM 27x3.0	M27x3.0	35.35	68	25
300.03 EUM 30x3.5	M30x3.5	35.35	68	25

## Applications

Quick mould change

## Compatible with

Alba