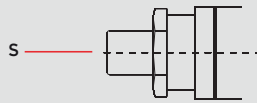
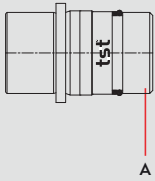


Materials



SCREW LOCKING

Material Code

A = AISI 303

S = AISI 420



0 - 180 bar

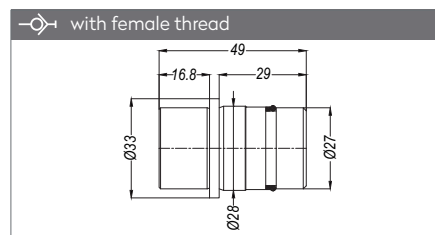


-26°C to + 200°C (FPM)

Shut Off Type

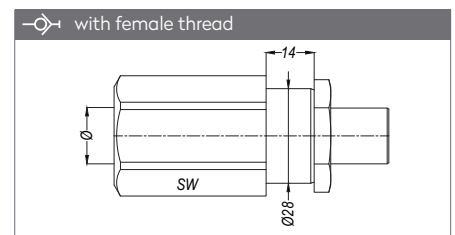


QUICK COUPLINGS SCHNELLKUPPLUNGEN

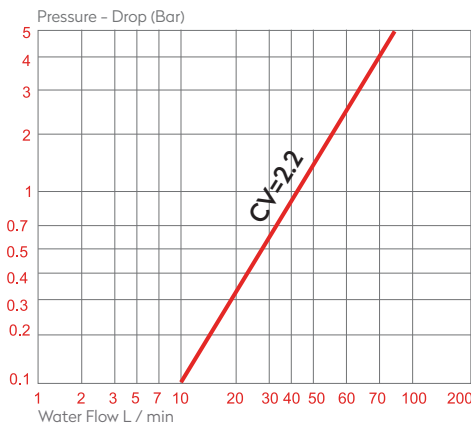


Part no.
MK104.08 DGB 00

PLUGS STECKNIPPEL



Part no.	Ø	SW
104.08 DUB 17 MP	BSP 3/8"	32
104.08 DUB 21 MP	BSP 1/2"	32
104.08 NUB 17 MP	NPT 3/8"	32
104.08 NUB 21 MP	NPT 1/2"	32



Options



MK COUPLING	OV 178 - 02195 - 88
	OV 200 - 00550 - 88
	OV 262 - 01715 - 88
MM PLUG	OV 262 - 01715 - 88
	OV 178 - 02195 - 88
	OV 200 - 00550 - 88

Applications

- Hydraulic Circuits

DN

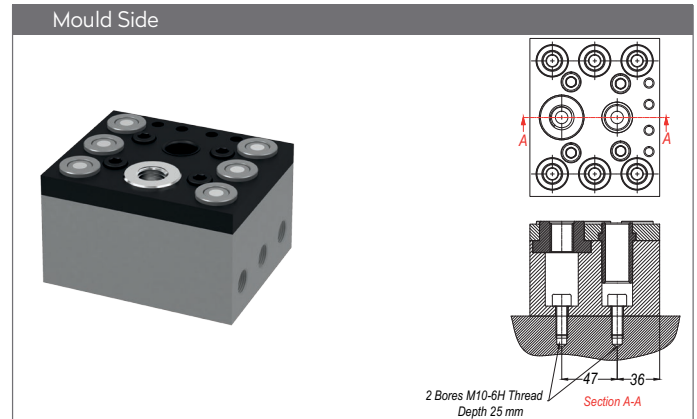
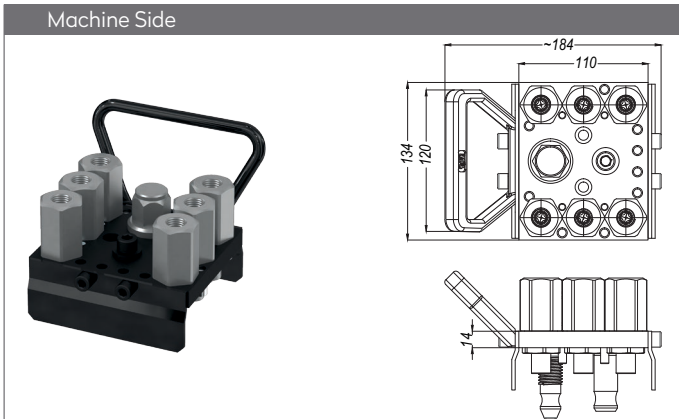
8 mm

Compatible with

MULTICOUPLINGS
 MULTIKUPPLUNGEN

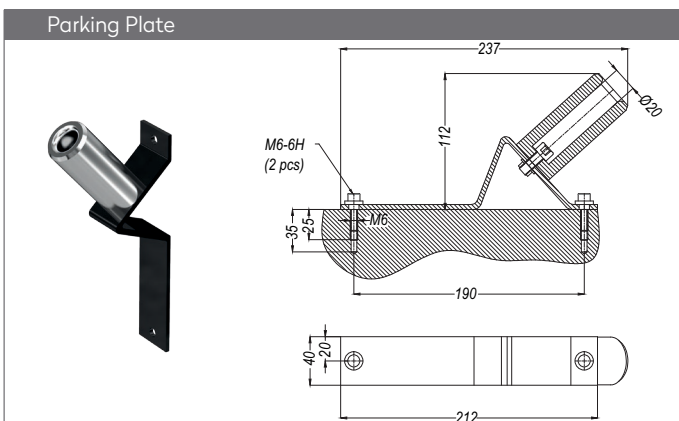
3 ↔ 3

SERIE 208M



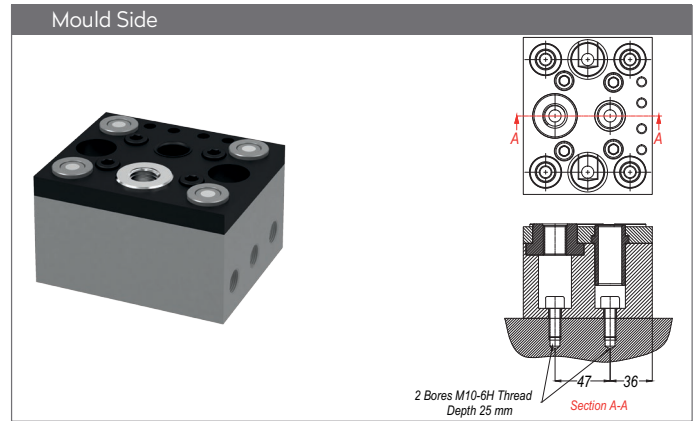
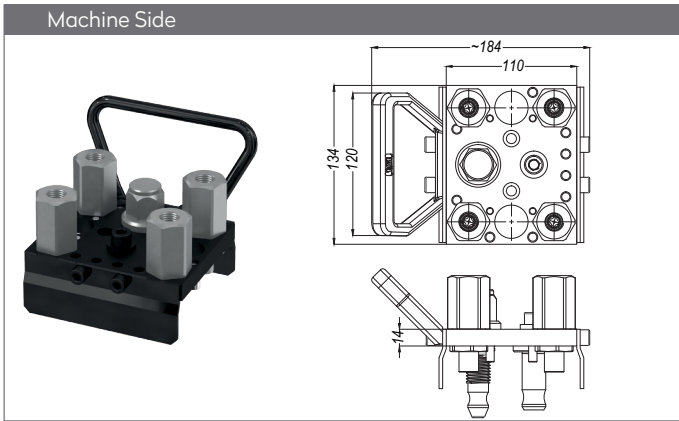
Part No.	Unit	Ø
MM208.06	-	without plugs
MM208.06 G17	6	104.08 DUB 17MP (3/8" BSP)
MM208.06 G21	6	104.08 DUB 21MP (1/2" BSP)
MM208.06 N17	6	104.08 NUB 17MP (3/8" NPT)
MM208.06 N21	6	104.08 NUB 21MP (1/2" NPT)
MM208.06 U14	6	104.08 UUB 14MP (9/16" UNF)
MM208.06 U19	6	104.08 UUB 19MP (3/4" UNF)

Part No.	Unit	Ø
	-	without couplings
MK208.06 G17	6	MK104.08 DGB 00
	6	3/8" BSP female thread holes on sides
MK208.06 G21	6	MK104.08 DGB 00
	6	1/2" BSP female thread holes on sides
MK208.06 N17	6	MK104.08 DGB 00
	6	3/8" NPT female thread holes on sides
MK208.06 N21	6	MK104.08 DGB 00
	6	1/2" NPT female thread holes on sides
MK208.06 U14	6	MK104.08 DGB 00
	6	9/16" UNF female thread holes on sides
MK208.06 U19	6	MK104.08 DGB 00
	6	3/4" UNF female thread holes on sides



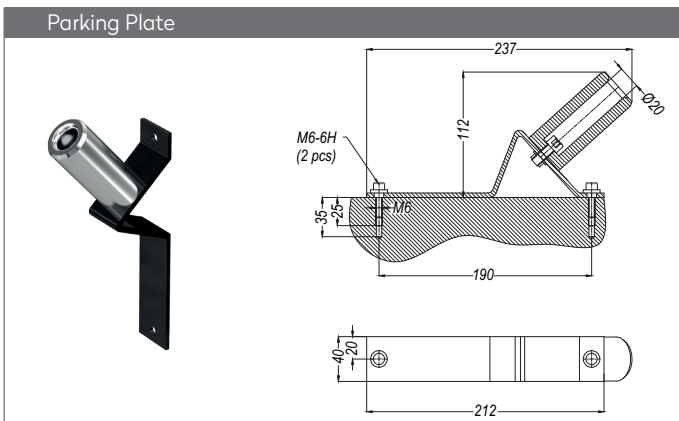
Part No.
MM108.06 P

SERIE 208M



Part No.	Unit	Ø
	-	without plugs
MM208.04 G17	4	104.08 DUB 17MP (3/8" BSP)
MM208.04 G21	4	104.08 DUB 21MP (1/2" BSP)
MM208.04 N17	4	104.08 NUB 17MP (3/8" NPT)
MM208.04 N21	4	104.08 NUB 21MP (1/2" NPT)
MM208.04 U14	4	104.08 UUB 14MP (9/16" UNF)
MM208.04 U19	4	104.08 UUB 19MP (3/4" UNF)

Part No.	Unit	Ø
	-	without couplings
MK208.04 G17	4	MK104.08 DGB 00
	6	3/8" BSP female thread holes on sides
MK208.04 G21	4	MK104.08 DGB 00
	6	1/2" BSP female thread holes on sides
MK208.04 N17	4	MK104.08 DGB 00
	6	3/8" NPT female thread holes on sides
MK208.04 N21	4	MK104.08 DGB 00
	6	1/2" NPT female thread holes on sides
MK208.04 U14	4	MK104.08 DGB 00
	6	9/16" UNF female thread holes on sides
MK208.04 U19	4	MK104.08 DGB 00
	6	3/4" UNF female thread holes on sides

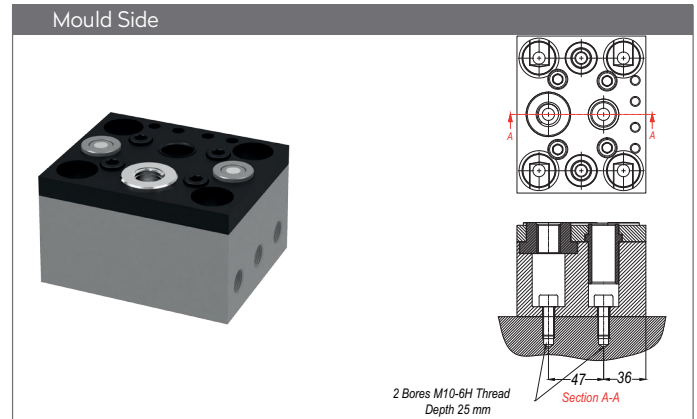
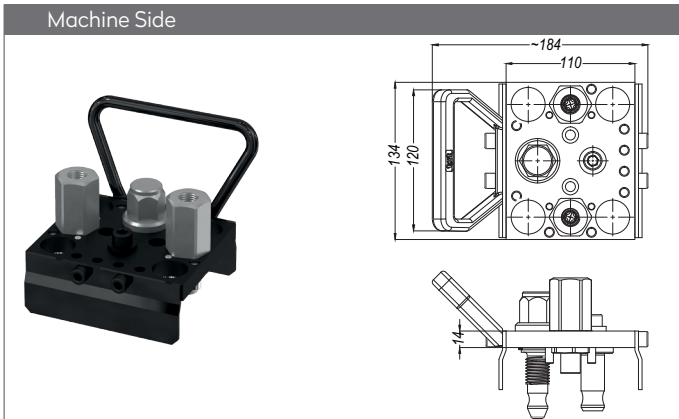


Part No.
MM108.06 P

MULTICOUPLINGS
 MULTIKUPPLUNGEN

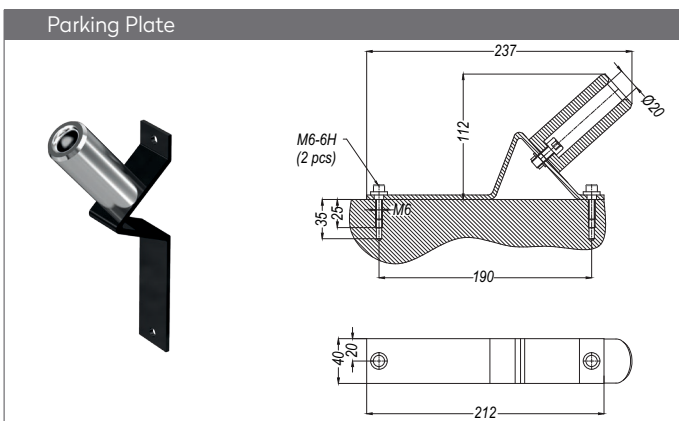
1 ↔ 1

SERIE 208M



Part No.	Unit	Ø
	-	without plugs
MM208.02 G17	2	104.08 DUB 17MP (3/8" BSP)
MM208.02 G21	2	104.08 DUB 21MP (1/2" BSP)
MM208.02 N17	2	104.08 NUB 17MP (3/8" NPT)
MM208.02 N21	2	104.08 NUB 21MP (1/2" NPT)
MM208.02 U14	2	104.08 UUB 14MP (9/16" UNF)
MM208.02 U19	2	104.08 UUB 19MP (3/4" UNF)

Part No.	Unit	Ø
	-	without couplings
MK208.02 G17	2	MK104.08 DGB 00
	6	3/8" BSP female thread holes on sides
MK208.02 G21	2	MK104.08 DGB 00
	6	1/2" BSP female thread holes on sides
MK208.02 N17	2	MK104.08 DGB 00
	6	3/8" NPT female thread holes on sides
MK208.02 N21	2	MK104.08 DGB 00
	6	1/2" NPT female thread holes on sides
MK208.02 U14	2	MK104.08 DGB 00
	6	9/16" UNF female thread holes on sides
MK208.02 U19	2	MK104.08 DGB 00
	6	3/4" UNF female thread holes on sides



Part No.
MM108.06 P