

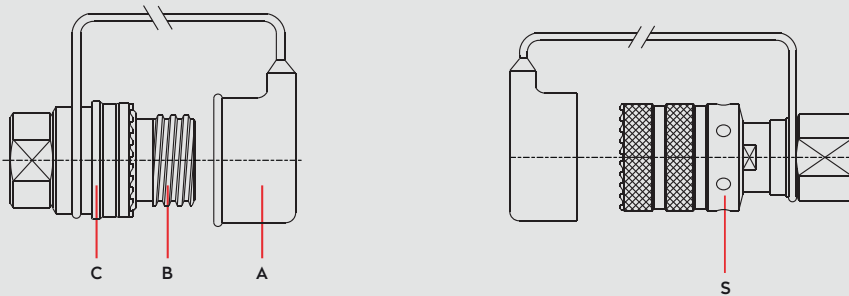


# DN 8-33

HYDRAULIC COUPLINGS  
HYDRAULISCHE KUPPLUNGEN

## SERIE 126

### Materials



### Material Code

- A = Neoprene\*  
\*Serie 126.08 - 126.12
- A = Aluminium\*  
\*Serie 126.20 - 126.25 - 126.33
- B = AISI 303
- C = AISI 420 - Black Chrome
- S = AISI 420 - Black Chrome
- S = AISI 8620 - Black Chrome\*  
\*Serie 126.25 - 126.33

DN 8 - 25 → 0 - 500 bar  
DN 33 → 0 - 350 bar

-26° to + 200°C (FPM)

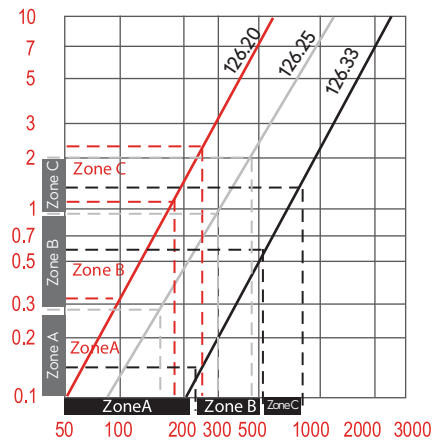
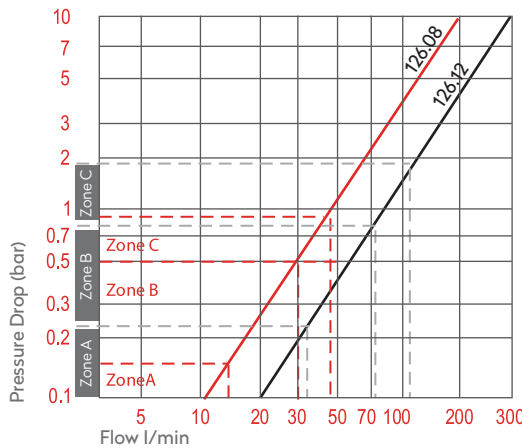
### Shut Off Type

### Screw Type

# FF

### DN

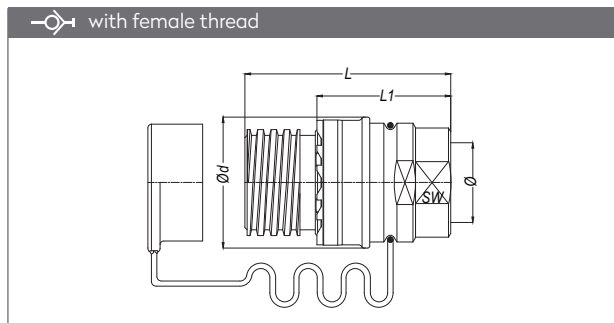
- TST 126.08 → 8 mm
- TST 126.12 → 12 mm
- TST 126.20 → 20 mm
- TST 126.25 → 25 mm
- TST 126.33 → 33 mm



<h3>Options</h3> <p>DN 20-25-33</p>	<h3>Applications</h3> <ul style="list-style-type: none"> <li>• Steel Industry</li> <li>• Road Breaker</li> <li>• Die Casting</li> </ul>	<h3>Compatible with</h3>
-------------------------------------	---	--------------------------

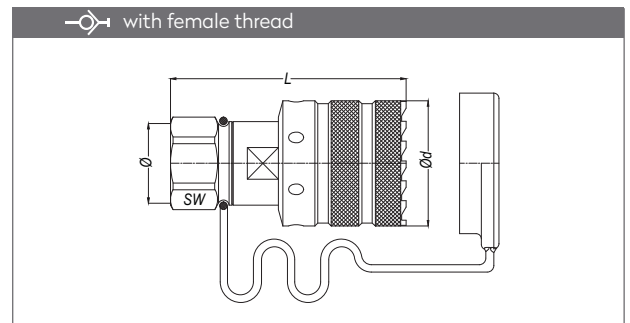


## QUICK COUPLINGS SCHNELLKUPPLUNGEN

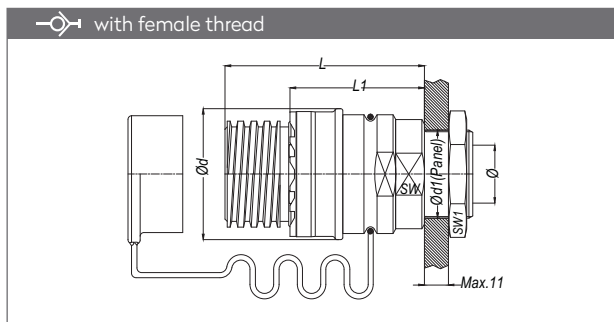


Part No.	Ø	Ød	L	L1	SW
126.08 DGB 21	BSP 1/2"	50	75.5	50	32
126.08 NGB 21	NPT 1/2"	50	75.5	50	32
126.08 UGB 19	UNF 3/4"-16	50	75.5	50	32
126.12 DGB 26	BSP 3/4"	59.6	93.5	61.5	46
126.12 NGB 26	NPT 3/4"	59.6	93.5	61.5	46
126.12 UGB 27	UNF 1 1/16"-12	59.6	93.5	61.5	46
126.20 DGB 33	BSP 1"	73	110	75.5	50
126.20 NGB 33	NPT 1"	73	110	75.5	50
126.20 UGB 33	UN 1 5/16"-12	73	110	75.5	50
126.25 DGB 42	BSP 1 1/4"	91	140.6	95.1	65
126.25 NGB 42	NPT 1 1/4"	91	145.6	100.1	65
126.25 UGB 41	UN 1 5/8"-12	91	140.6	95.1	65
126.33 DGB 48	BSP 1 1/2"	107	152.5	99.5	80

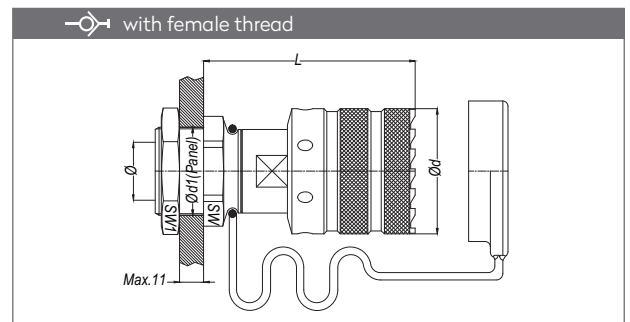
## PLUGS STECKNIPPEL



Part No.	Ø	Ød	L	SW
126.08 DUB 21	BSP 1/2"	47	94.7	30
126.08 NUB 21	NPT 1/2"	47	94.7	30
126.08 UUB 19	UN 3/4"-16	47	94.7	30
126.12 DUB 26	BSP 3/4"	57	107.1	38
126.12 NUB 26	NPT 3/4"	57	107.1	38
126.12 UUB 27	UN 1 1/16"-12	57	107.1	38
126.20 DUB 33	BSP 1"	70	123.5	46
126.20 NUB 33	NPT 1"	70	123.5	46
126.20 UUB 33	UN 1 5/16"-12	70	123.5	46
126.25 DUB 42	BSP 1 1/4"	88	139.7	58
126.25 NUB 42	NPT 1 1/4"	88	142.2	58
126.25 UUB 41	UN 1 5/8"-12	88	139.7	58
126.33 DUB 48	BSP 1 1/2"	108	157	70



Part No.	Ø	Ød	Ød1 (panel)	L	L1	SW1 (Locknut)	SW
1261.12 DGB 26	BSP 3/4"	59.6	41	90.5	57.9	50	46
1261.12 NGB 26	NPT 3/4"	59.6	41	90.5	57.9	50	46
1261.12 UGB 27	UN 1 1/16"-12	59.6	41	90.5	57.9	50	46
1261.20 DGB 33	BSP 1"	73	51	102	65.6	75	50
1261.20 NGB 33	NPT 1"	73	51	102	65.6	75	50



Part No.	Ø	Ød	Ød1	L	SW1 (Locknut)	SW
1261.12 DUB 26	BSP 3/4"	57	41	96.1	50	46
1261.12 NUB 26	NPT 3/4"	57	41	96.1	50	46
1261.12 UUB 27	UN 1 1/16"-12	57	41	96.1	50	46
1261.20 DUB 33	BSP 1"	70	51	106.5	75	50
1261.20 NUB 33	NPT 1"	70	51	106.5	75	50