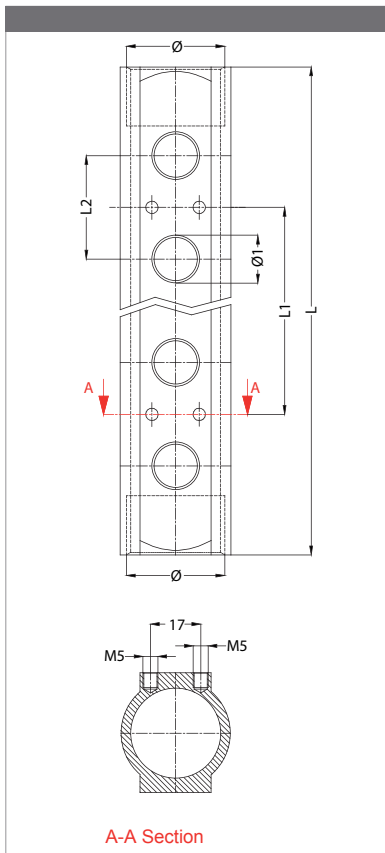
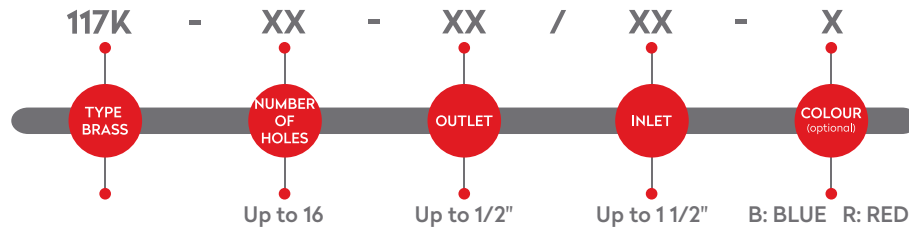


SERIE 117K



Ø1 = OUTLET = 1/4"		Ø = INLET = 3/4"		
Number of Holes	Part No.	L	L2	L1
3	117K-03-13/26	120	30	70
4	117K-04-13/26	150	30	70
5	117K-05-13/26	180	30	70
6	117K-06-13/26	210	30	70
7	117K-07-13/26	240	30	70
8	117K-08-13/26	270	30	70
9	117K-09-13/26	300	30	70
10	117K-10-13/26	330	30	70
11	117K-11-13/26	360	30	70

Ø1 = OUTLET = 3/8"		Ø = INLET = 3/4"		
Number of Holes	Part No.	L	L2	L1
4	117K-04-17/26	165	35	70
5	117K-05-17/26	200	35	70
6	117K-06-17/26	235	35	70
8	117K-08-17/26	305	35	70
10	117K-10-17/26	375	35	70
12	117K-12-17/26	445	35	70

Ø1 = OUTLET = 3/8"		Ø = INLET = 1"		
Number of Holes	Part No.	L	L2	L1
4	117K-04-17/33	165	35	70
5	117K-05-17/33	200	35	70
6	117K-06-17/33	235	35	70
8	117K-08-17/33	305	35	70
10	117K-10-17/33	375	35	70
12	117K-12-17/33	445	35	70

Ø1 = OUTLET = 1/2"		Ø = INLET = 1"		
Number of Holes	Part No.	L	L2	L1
4	117K-04-21/33	210	50	70
5	117K-05-21/33	260	50	70
6	117K-06-21/33	310	50	70
8	117K-08-21/33	410	50	70
10	117K-10-21/33	510	50	70
12	117K-12-21/33	610	50	70

Ø1 = OUTLET = 3/8"		Ø = INLET = 1 1/4"		
Number of Holes	Part No.	L	L2	L1
4	117K-04-17/42	196	40	150
5	117K-05-17/42	236	40	150
6	117K-06-17/42	276	40	150
8	117K-08-17/42	356	40	150
10	117K-10-17/42	436	40	150
12	117K-12-17/42	516	40	150
16	117K-16-17/42	676	40	150

Ø1 = OUTLET = 1/2"		Ø = INLET = 1 1/4"		
Number of Holes	Part No.	L	L2	L1
4	117K-04-21/42	226	50	150
5	117K-05-21/42	276	50	150
6	117K-06-21/42	326	50	150
8	117K-08-21/42	426	50	150
10	117K-10-21/42	526	50	150
12	117K-12-21/42	626	50	150

Ø1 = OUTLET = 3/8"		Ø = INLET = 1 1/2"		
Number of Holes	Part No.	L	L2	L1
4	117K-04-17/48	196	40	150
5	117K-05-17/48	236	40	150
6	117K-06-17/48	276	40	150
8	117K-08-17/48	356	40	150
10	117K-10-17/48	436	40	150
12	117K-12-17/48	516	40	150
16	117K-16-17/48	676	40	150

Ø1 = OUTLET = 1/2"		Ø = INLET = 1 1/2"		
Number of Holes	Part No.	L	L2	L1
4	117K-04-21/48	226	50	150
5	117K-05-21/48	276	50	150
6	117K-06-21/48	326	50	150
8	117K-08-21/48	426	50	150
10	117K-10-21/48	526	50	150
12	117K-12-21/48	626	50	150

Collector Plate Assembly

Part No.	L	L1	L2	L3	L4	L5	Ød	Ød1	T
117 KBS 70	70	17	44	86	69	100	5.5	9	3
117 KBS 150	150	20	66	120	140	160	6.5	10.5	4

Collector Clamp Assembly (1")

Part No.
117K-LP-33