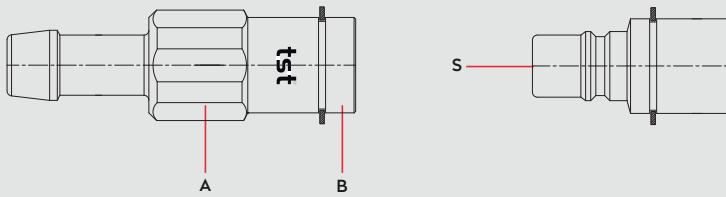


### Materials



### Material Code

- A = Brass
- B = Brass
- S = Brass Nickel Plated

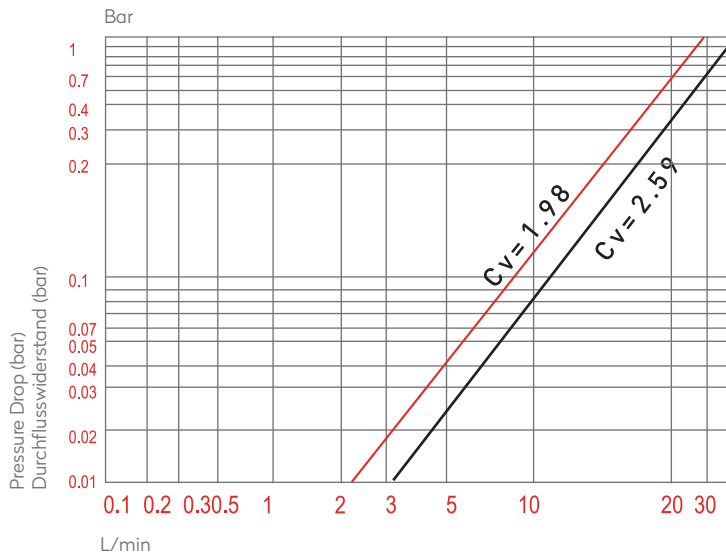
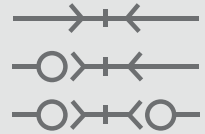


0 - 16 bar



-26°C to + 200°C (FPM)

### Shut Off Type



- Double shut-off / Beidseitig absperrend
- (Single shut-off / Einseitig absperrend)

### Options

NICKEL		COLOURED PLATE
HT	AISI303 Stainless Steel	EPDM

	COUPLING	OV 262 - 01235 OV 100 - 01300 OV 200 - 00800
	PLUG	OV 200 - 00600

### Applications

- Temperature controlling

DN	9 mm
----	------

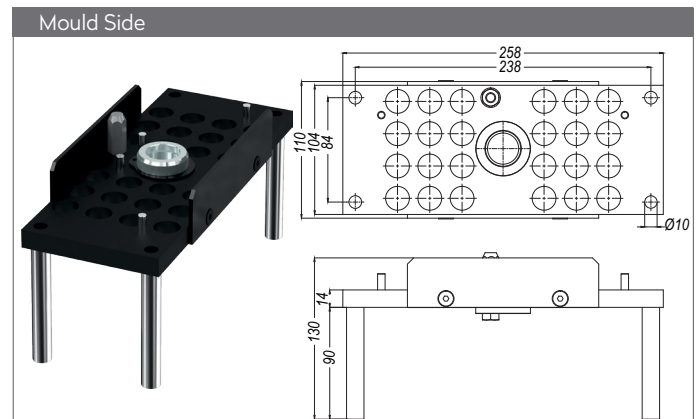
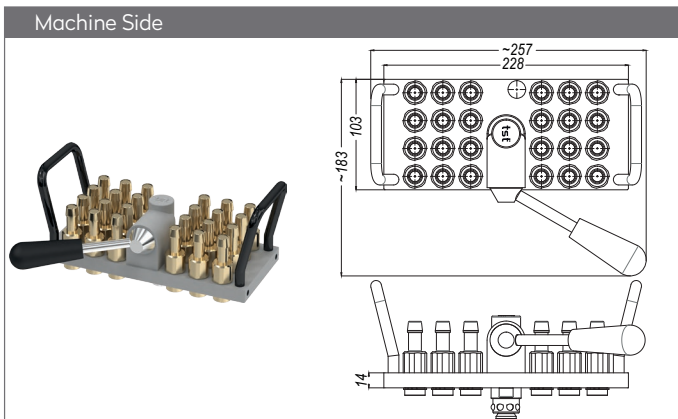
### Compatible with

12 ⇌ 12

# SERIE 109M

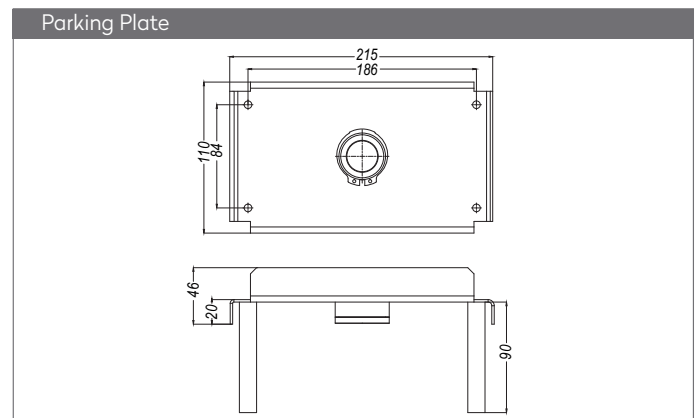
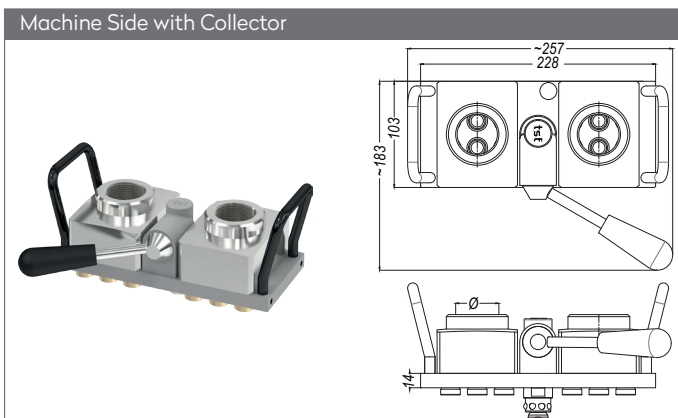
**Multi Couplings Systems** for quick changing of injection moulding and die cast equipments

**Multikupplungensysteme** für schnelles Wechseln und Verbinden der Kokillen und Spritzgußformen



Part No.	Unit	Ø
MM109.24	-	without couplings
MM109.24 HGB 10	24	Hose tail 10 mm
MM109.24 HGB 12	24	Hose tail 12 mm
MM109.24 FGB 10	24	Push-Lock Hose tail 10 mm
MM109.24 FGB 13	24	Push-Lock Hose tail 13 mm
MM109.24 DGB 17	24	BSP female 3/8"
MM109.24 NGB 17	24	NPT female 3/8"

Part No.	Unit	Ø
MK109.24	-	without plugs
MK109.24 DUB 17	24	BSP female 3/8" with valve
MK109.24 NUB 17	24	NPT female 3/8" with valve
MK109.24 DU 17	24	BSP female 3/8" without valve
MK109.24 NU 17	24	NPT female 3/8" without valve



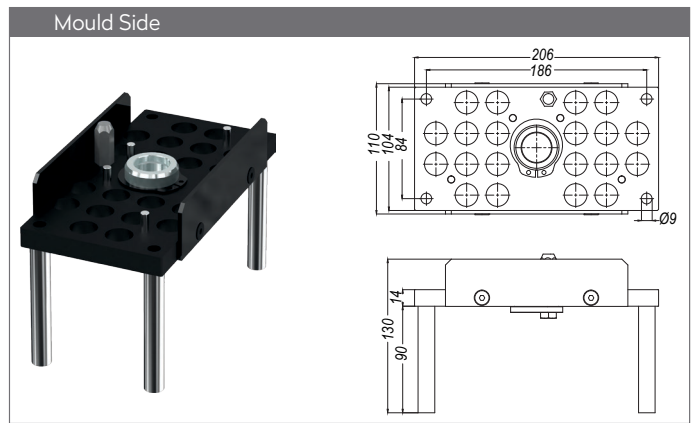
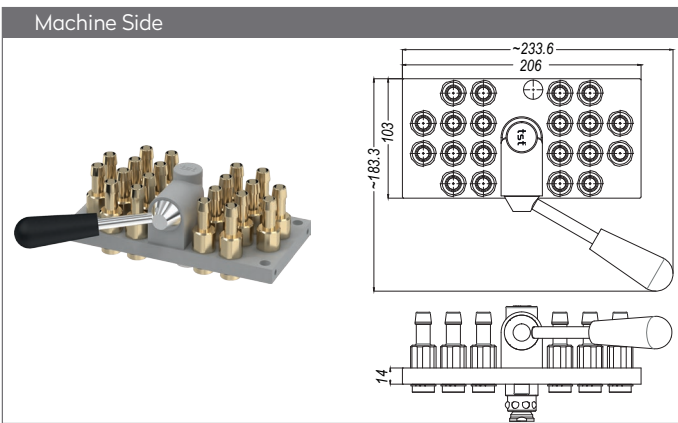
Part No.	Unit	Ø
MM109.24C	24	BSP female 1 1/4"
MM109.24CN	24	NPT female 1 1/4"

Part No.
MM109.24 P

# SERIE 109M $10 \leftrightarrow 10$

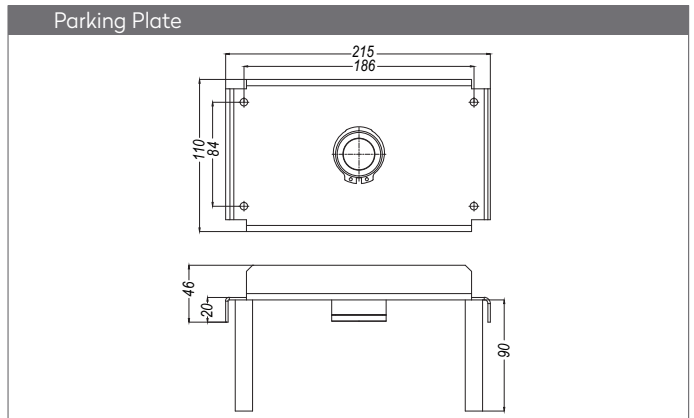
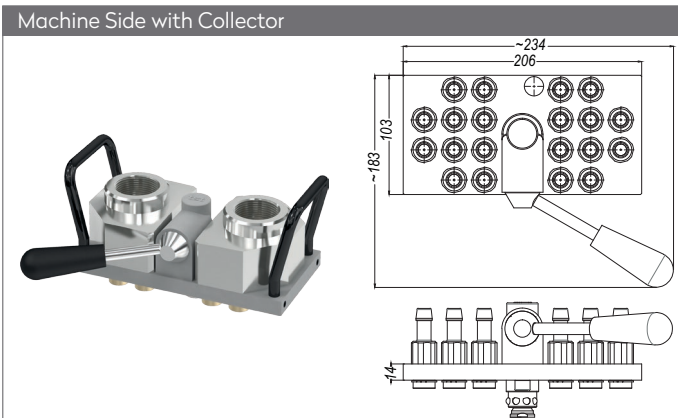
**Multi Couplings Systems** for quick changing of injection moulding and die cast equipments

**Multikupplungensysteme** für schnelles Wechseln und Verbinden der Kokillen und Spritzgußformen



Part No.	Unit	Ø
MM109.20	-	without couplings
MM109.20 HGB 10	20	Hose tail 10 mm
MM109.20 HGB 12	20	Hose tail 12 mm
MM109.20 FGB 10	20	Push-Lock Hose tail 10 mm
MM109.20 FGB 13	20	Push-Lock Hose tail 13 mm
MM109.20 DGB 17	20	BSP female 3/8"
MM109.20 NGB 17	20	NPT female 3/8"

Part No.	Unit	Ø
MK109.20	-	without plugs
MK109.20 DUB 17	20	BSP female 3/8" with valve
MK109.20 NUB 17	20	NPT female 3/8" with valve
MK109.20 DU 17	20	BSP female 3/8" without valve
MK109.20 NU 17	20	NPT female 3/8" without valve



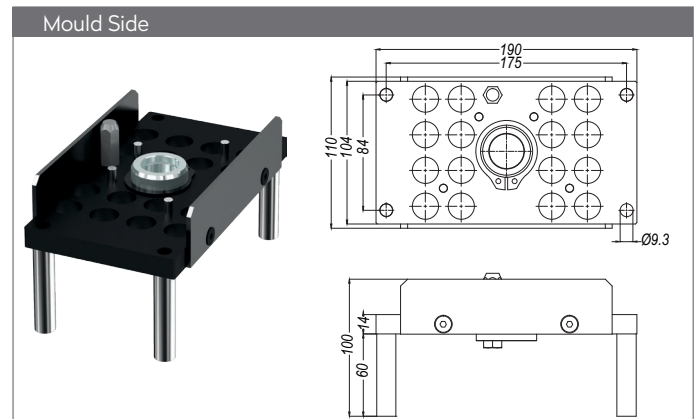
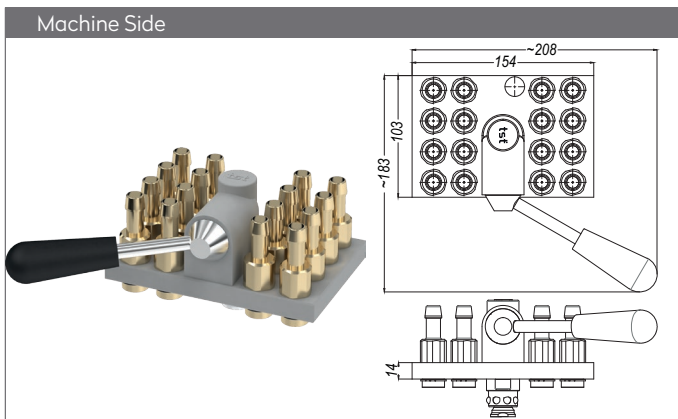
Part No.	Unit	Ø
MM109.20C	20	BSP female 1 1/4"
MM109.20CN	20	NPT female 1 1/4"

Part No.
MM109.24 P

8 ↔ 8

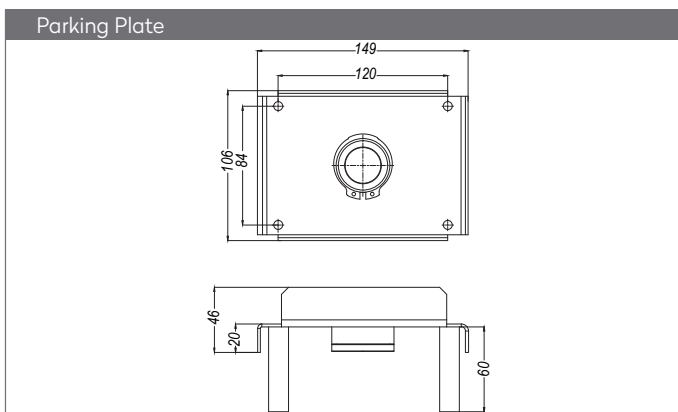
## SERIE 109M

**Multi Couplings Systems** for quick changing of injection moulding and die cast equipments

**Multikupplungensysteme** für schnelles Wechseln und Verbinden der Kokillen und Spritzgußformen


Part No.	Unit	Ø
MM109.16	-	without couplings
MM109.16 HGB 10	16	Hose tail 10 mm
MM109.16 HGB 12	16	Hose tail 12 mm
MM109.16 FGB 10	16	Push-Lock Hose tail 10 mm
MM109.16 FGB 13	16	Push-Lock Hose tail 13 mm
MM109.16 DGB 17	16	BSP female 3/8"
MM109.16 NGB 17	16	NPT female 3/8"

Part No.	Unit	Ø
MK109.16	-	without plugs
MK109.16 DUB 17	16	BSP female 3/8" with valve
MK109.16 NUB 17	16	NPT female 3/8" with valve
MK109.16 DU 17	16	BSP female 3/8" without valve
MK109.16 NU 17	16	NPT female 3/8" without valve

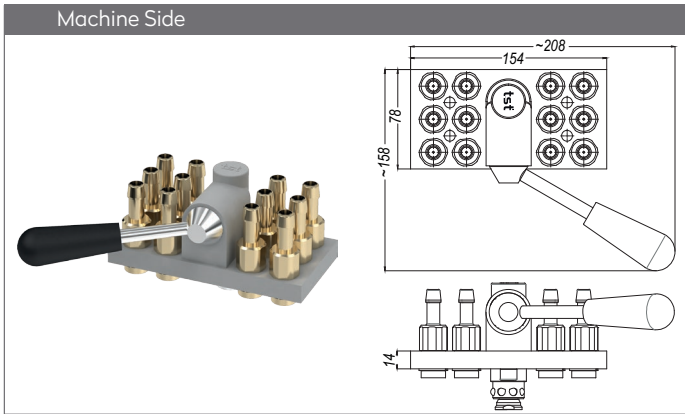


Part No.
MM109.16 P

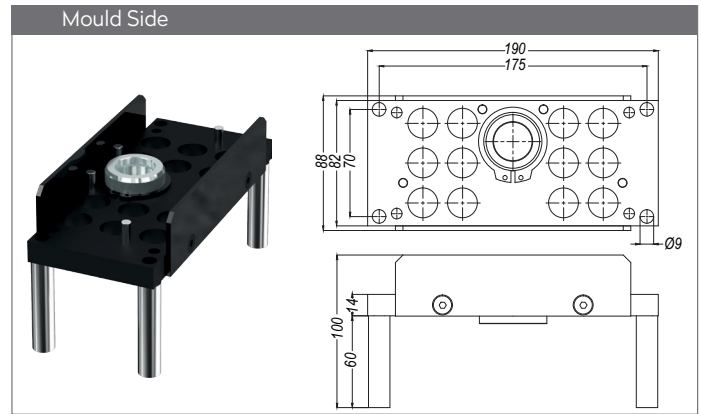
MULTICOUPLINGS  
MULTIKUPPLUNGEN

6 ↔ 6

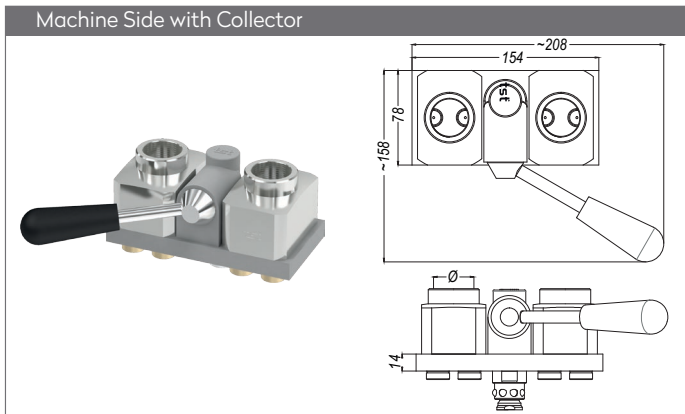
SERIE 109M



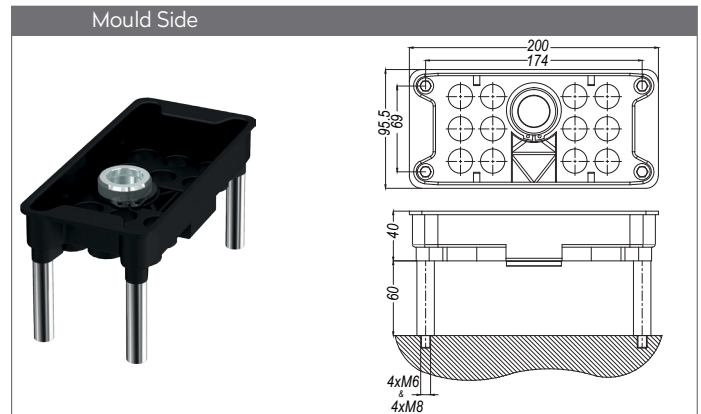
Part No.	Unit	Ø
MM109.12	-	without couplings
MM109.12 HGB 10	12	Hose tail 10 mm
MM109.12 HGB 12	12	Hose tail 12 mm
MM109.12 FGB 10	12	Push-Lock Hose tail 10 mm
MM109.12 FGB 13	12	Push-Lock Hose tail 13 mm
MM109.12 DGB 17	12	BSP female 3/8"
MM109.12 NGB 17	12	NPT female 3/8"



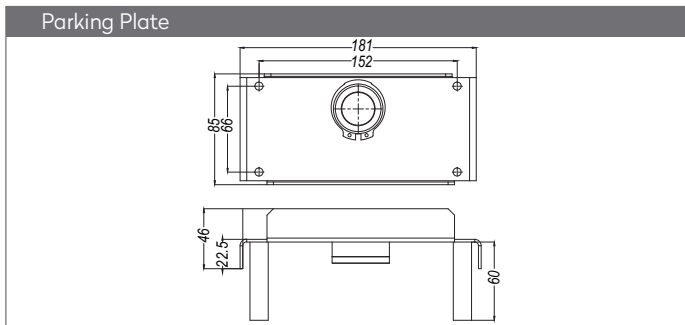
Part No.	Unit	Ø
MK109.12	-	without plugs
MK109.12 DUB 17	12	BSP female 3/8" with valve
MK109.12 NUB 17	12	NPT female 3/8" with valve
MK109.12 DU 17	12	BSP female 3/8" without valve
MK109.12 NU 17	12	NPT female 3/8" without valve



Part No.	Unit	Ø
MM109.12C	12	BSP female 1"
MM109.12CN	12	NPT female 1"



Part No.	Unit	Ø
MK109.12K	-	without plugs
MK109.12K DUB 17	12	BSP female 3/8" with valve
MK109.12K NUB 17	12	NPT female 3/8" with valve
MK109.12K DU 17	12	BSP female 3/8" without valve
MK109.12K NU 17	12	NPT female 3/8" without valve



Part No.
MM109.12 P

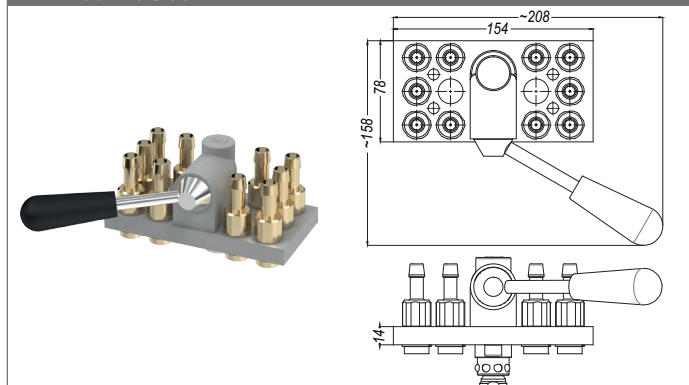
5 ↔ 5

# SERIE 109M

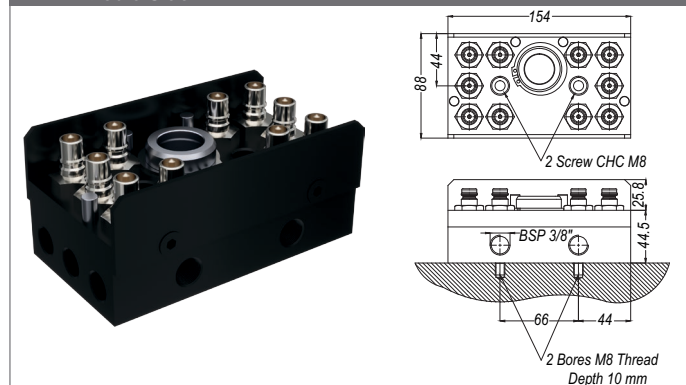
**Multi Couplings Systems** for quick changing of injection moulding and die cast equipments

**Multikupplungensysteme** für schnelles Wechseln und Verbinden der Kokillen und Spritzgußformen

Machine Side



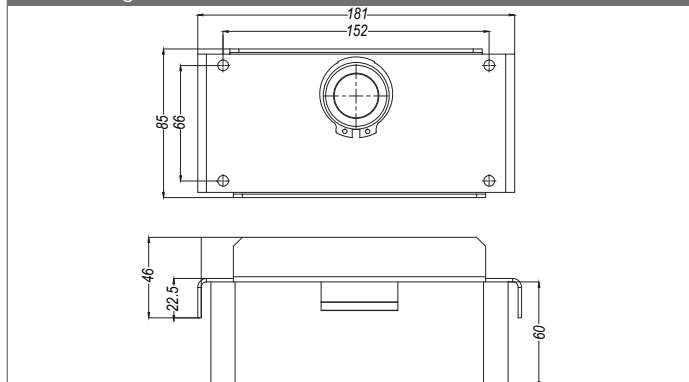
Mould Side



Part No.	Unit	Ø
MM109.12	-	without couplings
MM109.10 HGB 10	10	Hose tail 10 mm
MM109.10 HGB 12	10	Hose tail 12 mm
MM109.10 FGB 10	10	Push-Lock Hose tail 10 mm
MM109.10 FGB 13	10	Push-Lock Hose tail 13 mm
MM109.10 DGB 17	10	BSP female 3/8"
MM109.10 NGB 17	10	NPT female 3/8"

Part No.	Unit	Ø
MK109.10	10	BSP male 1/2" without valve
MK109.10 V	10	BSP male 1/2" with valve

Parking Plate



Part No.

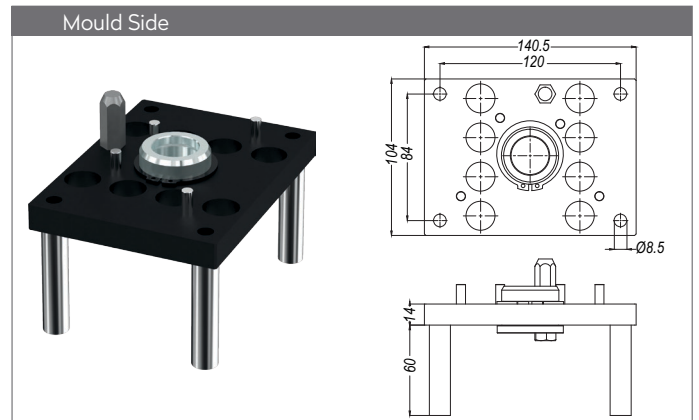
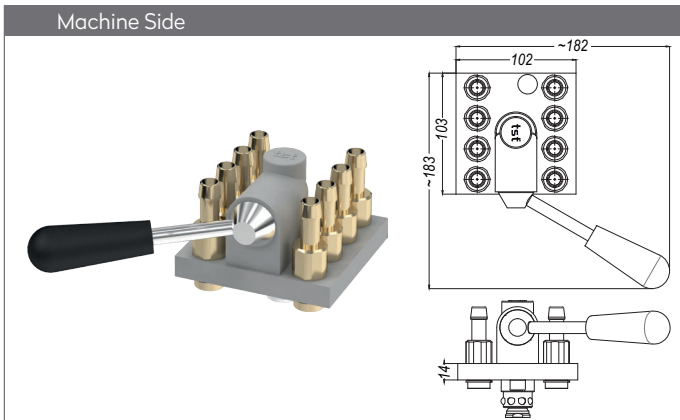
MM109.12 P



# SERIE 109M

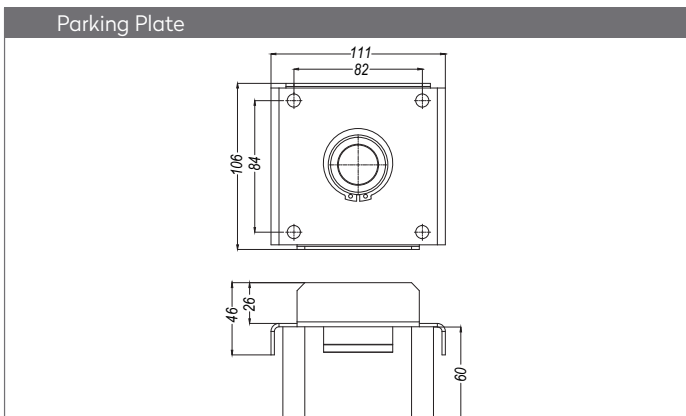
**Multi Couplings Systems** for quick changing of injection moulding and die cast equipments

**Multikupplungensysteme** für schnelles Wechseln und Verbinden der Kokillen und Spritzgußformen



Part No.	Unit	Ø
MM109.08	-	without couplings
MM109.08 HGB 10	8	Hose tail 10 mm
MM109.08 HGB 12	8	Hose tail 12 mm
MM109.08 FGB 10	8	Push-Lock Hose tail 10 mm
MM109.08 FGB 13	8	Push-Lock Hose tail 13 mm
MM109.08 DGB 17	8	BSP female 3/8"
MM109.08 NGB 17	8	NPT female 3/8"

Part No.	Unit	Ø
MK109.08	-	without plugs
MK109.08 DUB 17	8	BSP female 3/8" with valve
MK109.08 NUB 17	8	NPT female 3/8" with valve
MK109.08 DU 17	8	BSP female 3/8" without valve
MK109.08 NU 17	8	NPT female 3/8" without valve



Part No.
MM109.08 P

MULTICOUPLINGS  
 MULTIKUPPLUNGEN

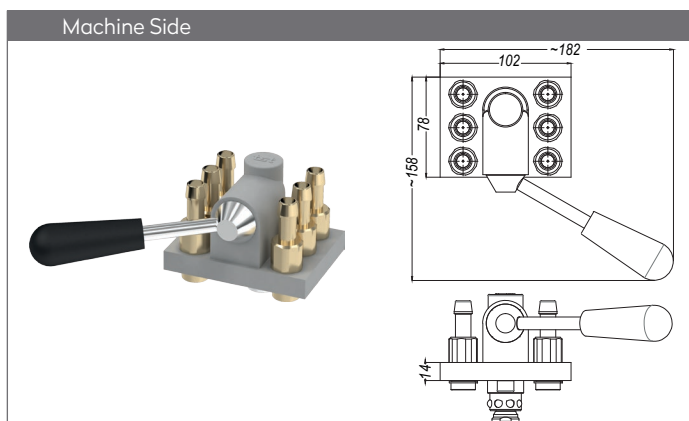
3 ↔ 3

## SERIE 109M

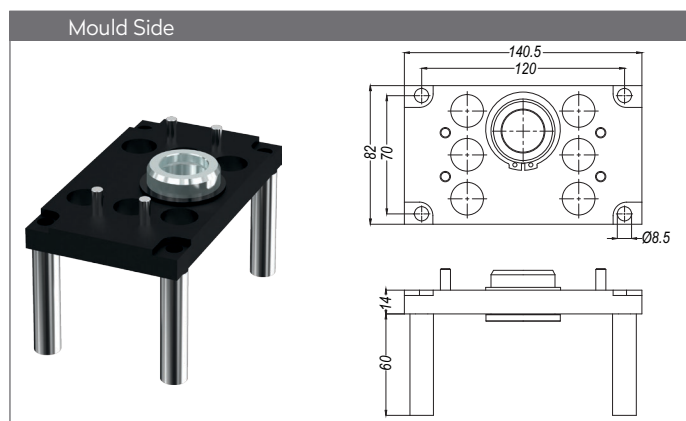
**Multi Couplings Systems** for quick changing of injection moulding and die cast equipments

**Multikupplungensysteme** für schnelles Wechseln und Verbinden der Kokillen und Spritzgußformen

Machine Side



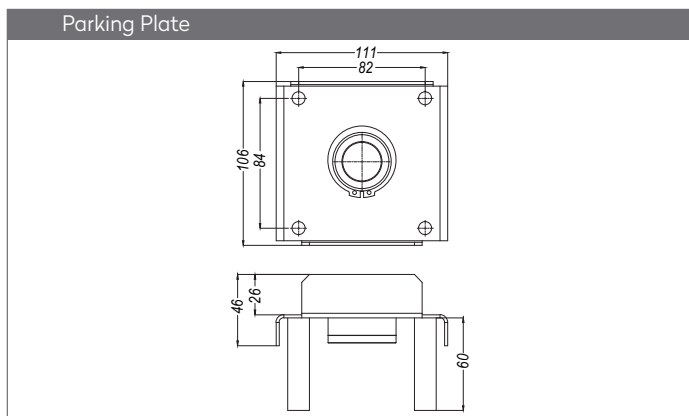
Mould Side



Part No.	Unit	Ø
MM109.06	-	without couplings
MM109.06 HGB 10	6	Hose tail 10 mm
MM109.06 HGB 12	6	Hose tail 12 mm
MM109.06 FGB 10	6	Push-Lock Hose tail 10 mm
MM109.06 FGB 13	6	Push-Lock Hose tail 13 mm
MM109.06 DGB 17	6	BSP female 3/8"
MM109.06 NGB 17	6	NPT female 3/8"

Part No.	Unit	Ø
MK109.06	-	without plugs
MK109.06 DUB 17	6	BSP female 3/8" with valve
MK109.06 NUB 17	6	NPT female 3/8" with valve
MK109.06 DU 17	6	BSP female 3/8" without valve
MK109.06 NU 17	6	NPT female 3/8" without valve

Parking Plate



Part No.

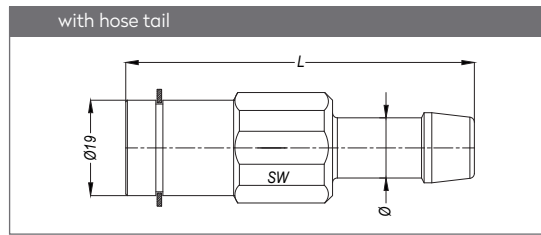
MM109.12 P



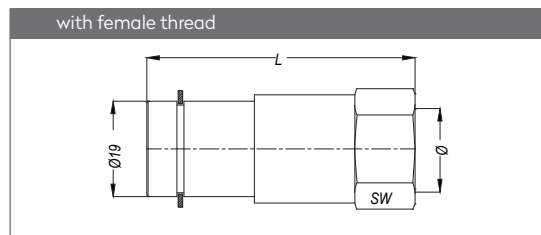
MULTICOUPLINGS  
MULTIKUPPLUNGEN

# SERIE 109M

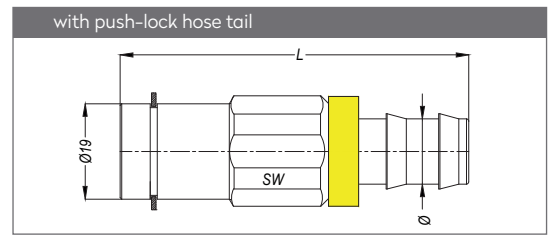
## QUICK COUPLINGS SCHNELLKUPPLUNGEN



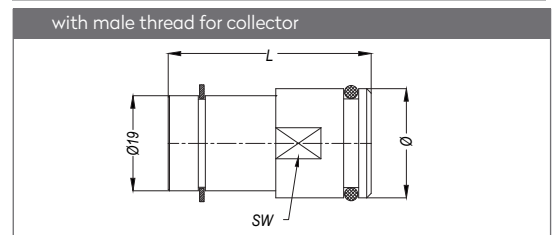
With Valve	Without Valve	SW	Ø	L
MM109 HGB 10	MM109 HGF 10	21	10	69
MM109 HGB 12	MM109 HGF 12	21	12	69



With Valve	Without Valve	SW	Ø	L
MM109 DGB 17	MM109 DGF 17	22	BSP 3/8"	53
MM109 NGB 17	MM109 NGF 17	22	NPT 3/8"	53

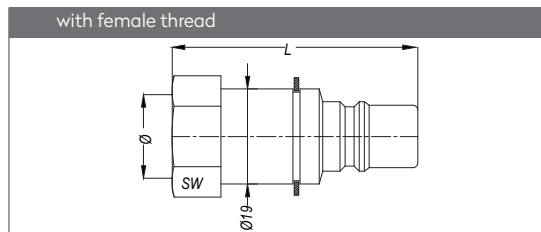


With Valve	Without Valve	SW	Ø	L
MM109 FGB 10	MM109 FGF 10	21	10	65
MM109 FGB 13	MM109 FGF 13	21	13	69

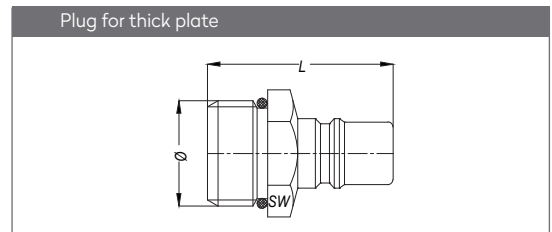


With Valve	Without Valve	SW	Ø	L
MM109 EGB 00	-	21	21.8	40.3

## PLUGS STECKNIPPEL

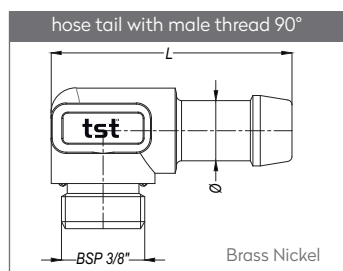


With Valve	Without Valve	SW	Ø	L
MK109 DUB 17	MK109 DUF 17	21	BSP 3/8"	49
MK109 NUB 17	MK109 NUF 17	21	NPT 3/8"	49

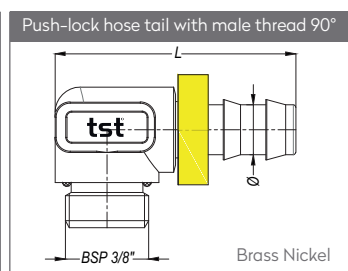


With Valve	Without Valve	SW	Ø	L
101.09 OUB 21	101.09 EUP 21	22	BSP 1/2"	37

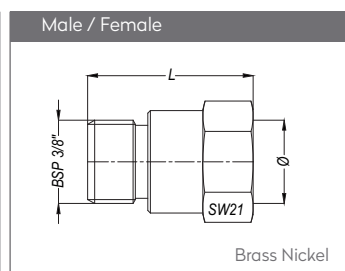
## ACCESSORIES ZUBEHÖR



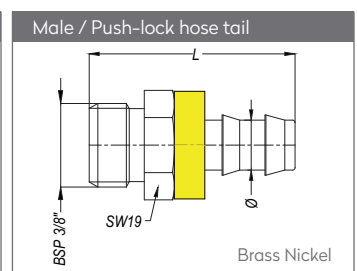
Part No.	Ø	L
109 EB 17.10	10	49
109 EB 17.12	12	49



Part No.	Ø	L
109 EF 17.10	10	49
109 EF 17.13	13	53.5



Part No.	Ø	L
109 EN 17	BSP 3/8"	33
109 NN 17	NPT 3/8"	33



Part No.	Ø	L
EHF 17-10	10	41
EHF 17-13	13	45