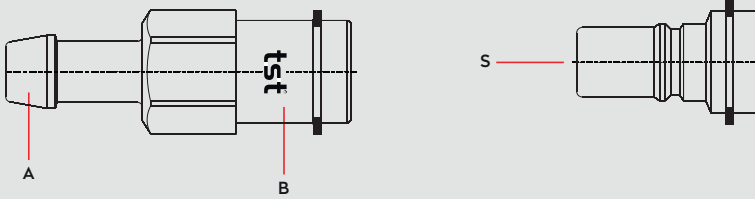



Materials




Material Code

- A = Brass
- B = Brass
- S = Brass Nickel Plated

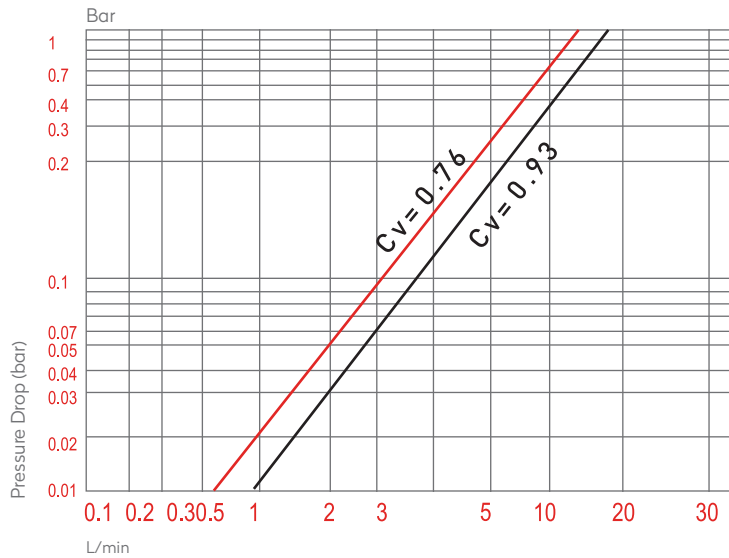


0 - 16 bar



-26°C to + 200°C (FPM)

Shut Off Type



- Double shut-off / Beidseitig absperrend
- (Single shut-off / Einseitig absperrend)

Options

NICKEL



- | | | |
|------|----------|----------------|
| PLUG | COUPLING | OV 200 - 00800 |
| | | OV 200 - 00450 |
| | | OV 120 - 00900 |
| | PLUG | OV 178 - 00290 |
| | | OV 178 - 01110 |

Applications

- Temperature controlling

DN

6 mm

Compatible with

MULTICOUPLINGS

MULTIKUPPLUNGEN

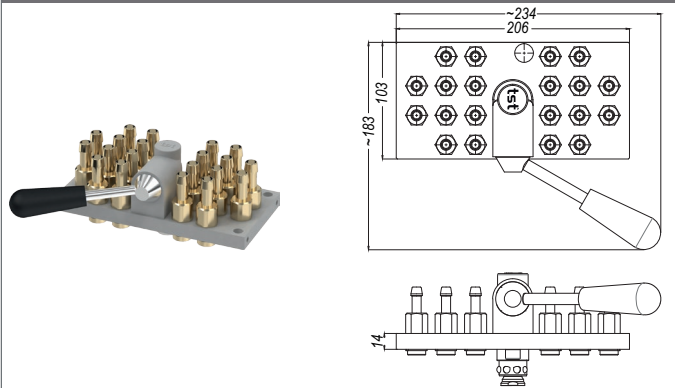
10 ↔ 10

SERIE 106M

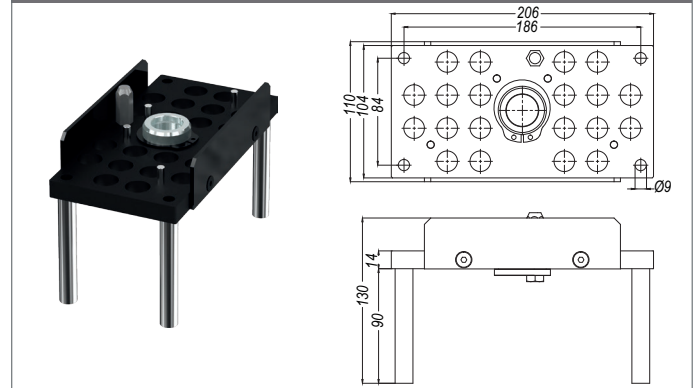
Multi Couplings Systems for quick changing of injection moulding and die cast equipments

Multikupplungensysteme für schnelles Wechseln und Verbinden der Kokillen und Spritzgußformen

Machine Side



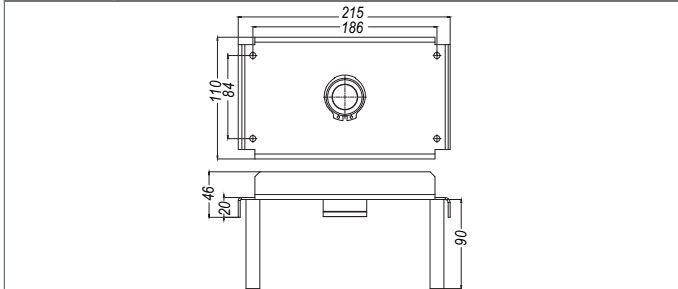
Mould Side



Part No.	Unit	Ø
MM106.20	-	without couplings
MM106.20 HGB 08	20	Hose tail 8 mm
MM106.20 HGB 10	20	Hose tail 10 mm
MM106.20 FGB 08	20	Push-Lock Hose tail 8 mm
MM106.20 FGB 10	20	Push-Lock Hose tail 10 mm
MM109.20 DGB 13	20	BSP female 1/4"
MM109.20 NGB 13	20	NPT female 1/4"

Part No.	Unit	Ø
MK106.20	-	without plugs
MK106.20 DUB 13	20	BSP female 1/4" with valve
MK106.20 NUB 13	20	NPT female 1/4" with valve
MK106.20 DU 13	20	BSP female 1/4" without valve
MK106.20 NU 13	20	NPT female 1/4" without valve

Parking Plate

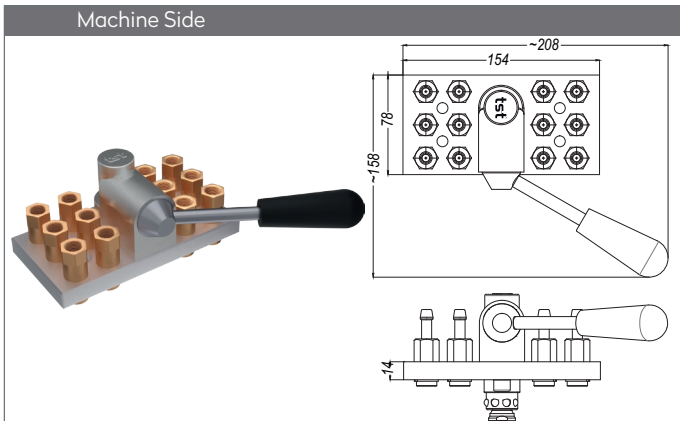

Part No.

MM109.24 P

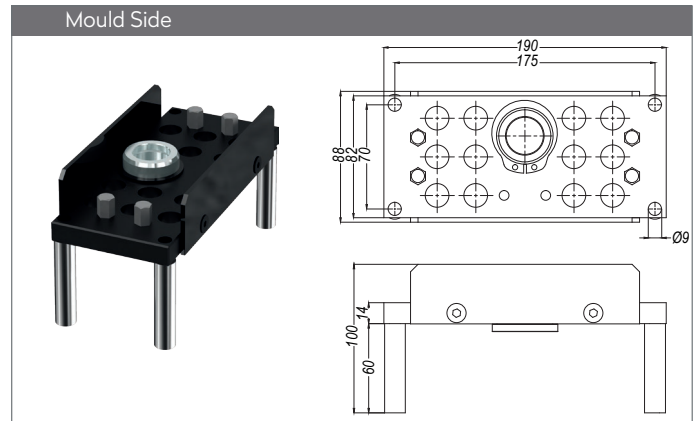
SERIE 106M

Multi Couplings Systems for quick changing of injection moulding and die cast equipments

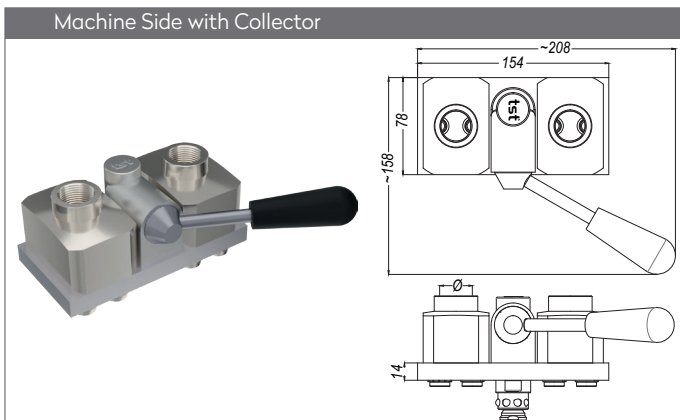
Multikupplungensysteme für schnelles Wechseln und Verbinden der Kokillen und Spritzgußformen



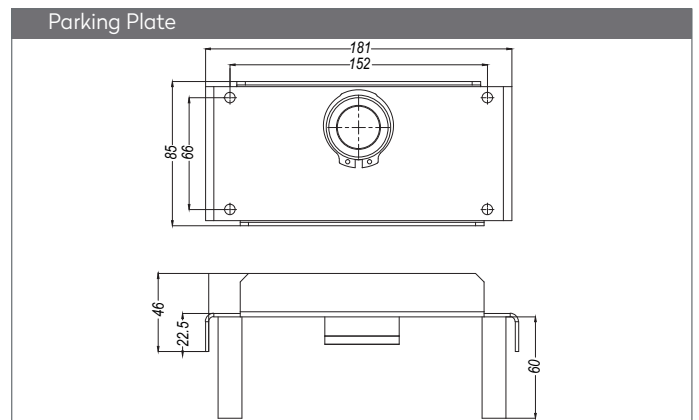
Part No.	Unit	Ø
MM106.12	-	without couplings
MM106.12 HGB 08	12	Hose tail 8 mm
MM106.12 HGB 10	12	Hose tail 10 mm
MM106.12 FGB 08	12	Push-Lock Hose tail 8 mm
MM106.12 FGB 10	12	Push-Lock Hose tail 10 mm
MM106.12 DGB 13	12	BSP female 1/4"
MM106.12 NGB 13	12	NPT female 1/4"



Part No.	Unit	Ø
MK106.12	-	without plugs
MK106.12 DUB 13	12	BSP female 1/4" with valve
MK106.12 NUB 13	12	NPT female 1/4" with valve
MK106.12 DU 13	12	BSP female 1/4" without valve
MK106.12 NU 13	12	NPT female 1/4" without valve



Part No.	Unit	Ø
MM106.12C	12	BSP female 3/4"
MM106.12CN	12	NPT female 3/4"



Part No.
MM109.12 P

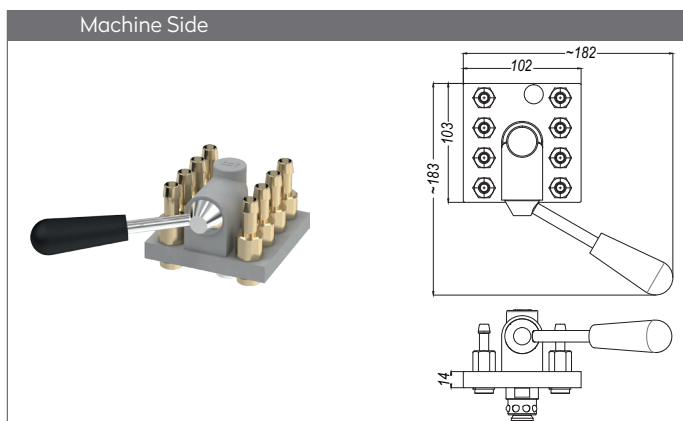
4 ↔ 4

SERIE 106M

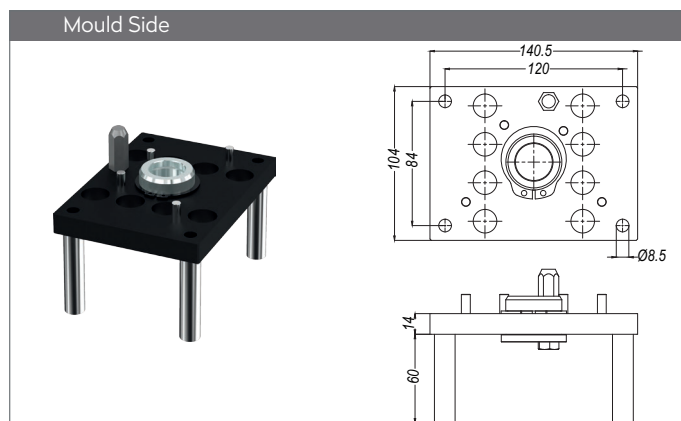
Multi Couplings Systems for quick changing of injection moulding and die cast equipments

Multikupplungensysteme für schnelles Wechseln und Verbinden der Kokillen und Spritzgußformen

Machine Side



Mould Side

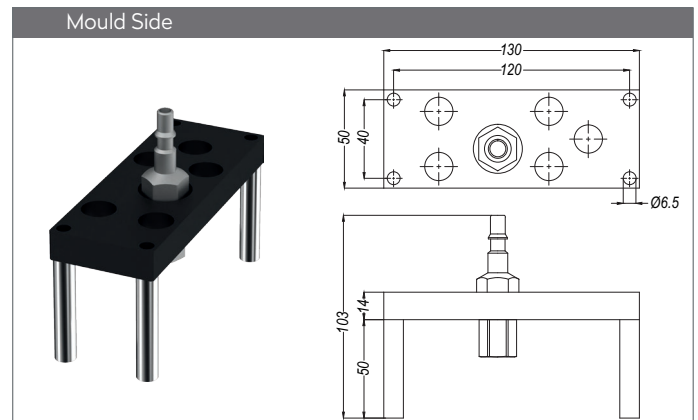
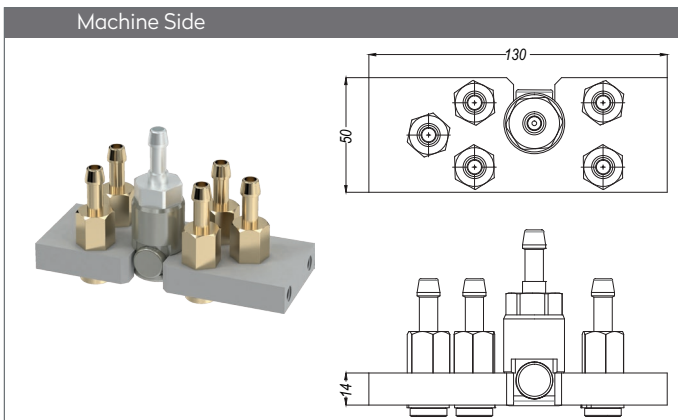


Part No.	Unit	Ø
MM106.08	-	without couplings
MM106.08 HGB 08	8	Hose tail 8 mm
MM106.08 HGB 10	8	Hose tail 10 mm
MM106.08 FGB 08	8	Push-Lock Hose tail 8 mm
MM106.08 FGB 10	8	Push-Lock Hose tail 10 mm
MM106.08 DGB 13	8	BSP female 1/4"
MM106.08 NGB 13	8	NPT female 1/4"

Part No.	Unit	Ø
MK106.08	-	without plugs
MK106.08 DUB 13	8	BSP female 1/4" with valve
MK106.08 NUB 13	8	NPT female 1/4" with valve
MK106.08 DU 13	8	BSP female 1/4" without valve
MK106.08 NU 13	8	NPT female 1/4" without valve

3 ↔ 3

SERIE 106M

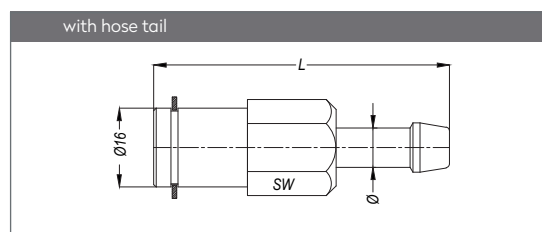
Multi Couplings Systems for quick changing of injection moulding and die cast equipments**Multikupplungensysteme** für schnelles Wechseln und Verbinden der Kokillen und Spritzgußformen

Part No.	Unit	Ø
MM106.06	-	without couplings
MM106.06 HGB 08	6	Hose tail 8 mm
MM106.06 HGB 10	6	Hose tail 10 mm
MM106.06 FGB 08	6	Push-Lock Hose tail 8 mm
MM106.06 FGB 10	6	Push-Lock Hose tail 10 mm
MM106.06 DGB 13	6	BSP female 1/4"
MM106.06 NGB 13	6	NPT female 1/4"

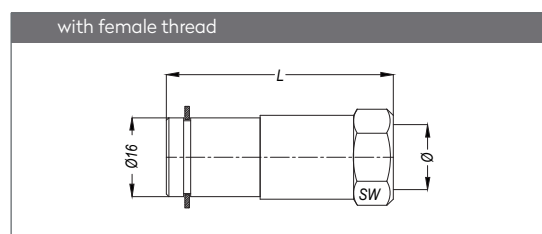
Part No.	Unit	Ø
MK106.06	-	without plugs
MK106.06 DUB 13	6	BSP female 1/4" with valve
MK106.06 NUB 13	6	NPT female 1/4" with valve
MK106.06 DU 13	6	BSP female 1/4" without valve
MK106.06 NU 13	6	NPT female 1/4" without valve

SERIE 106M

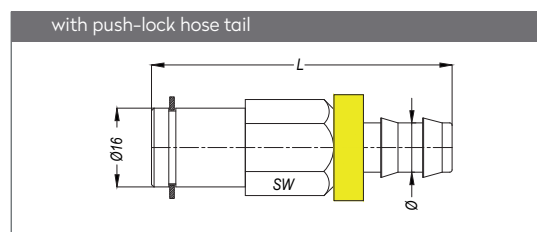
QUICK COUPLINGS SCHNELLKUPPLUNGEN



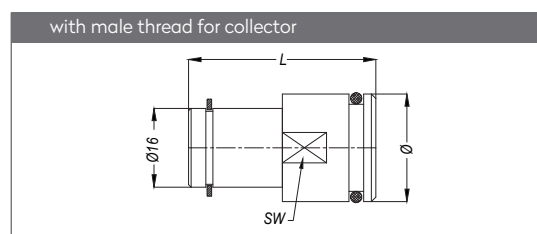
With Valve	Without Valve	SW	Ø	L
MM106 HGB 08	MM106 HGF 08	17	8	60
MM106 HGB 10	MM106 HGF 10	17	10	60



With Valve	Without Valve	SW	Ø	L
MM106 DGB 13	MM106 DGF 13	17	BSP 1/4"	46
MM106 NGB 13	MM106 NGF 13	17	NPT 1/4"	46

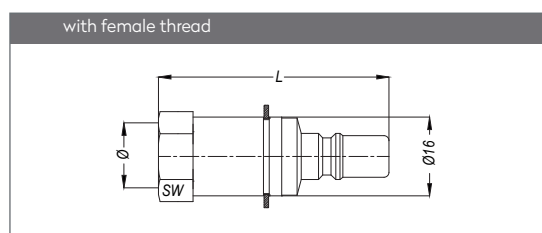


With Valve	Without Valve	SW	Ø	L
MM106 FGB 08	MM106 FGF 08	17	8	61
MM106 FGB 10	MM106 FGF 10	17	10	61



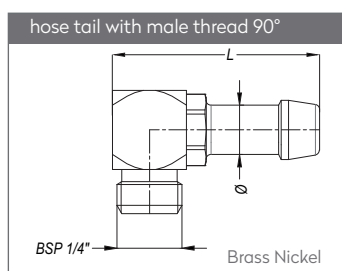
With Valve	Without Valve	SW	Ø	L
MM106 EGB 00	-	21	21.8	38

PLUGS STECKNIPPEL

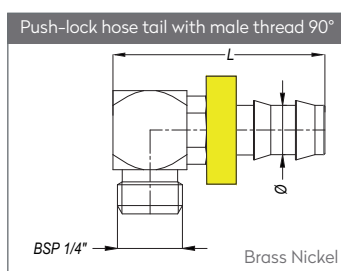


With Valve	Without Valve	SW	Ø	L
MK106 DUB 13	MK106 DU 13	17	BSP 1/4"	46.8
MK106 NUB 13	MK106 NU 13	17	NPT 1/4"	46.8

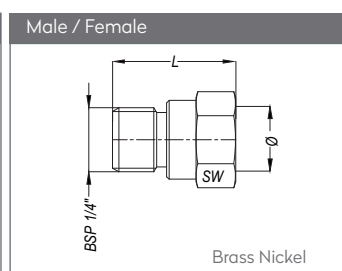
ACCESSORIES ZUBEHÖR



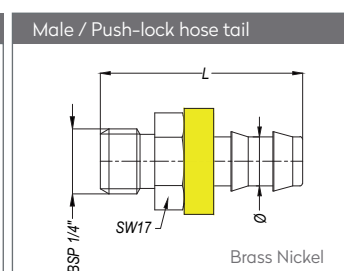
Part No.	Ø	L
106 EB 13.08	8	43
106 EB 13.10	10	43



Part No.	Ø	L
106 EF 13.08	8	42
106 EF 13.10	10	42



Part No.	Ø	L
106 EN 13	BSP 1/4"	25
106 NN 13	NPT 1/4"	25



Part No.	Ø	L
EHF 13-10	10	41
EHF 13-13	13	45