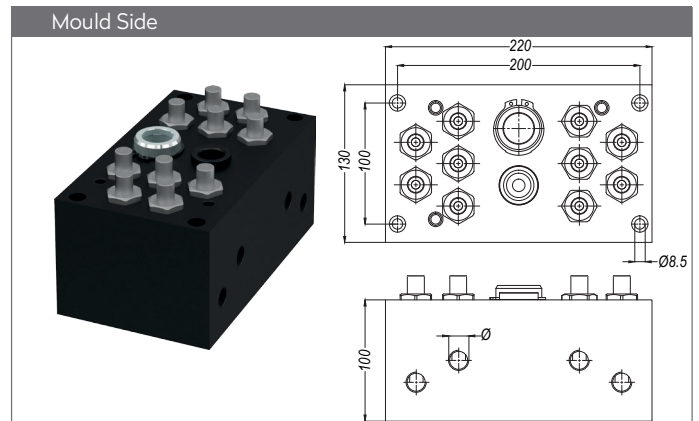
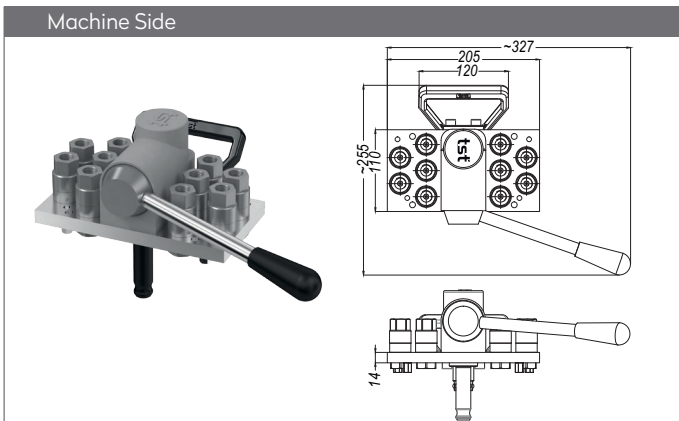


# SERIE 104.06 / 104.08

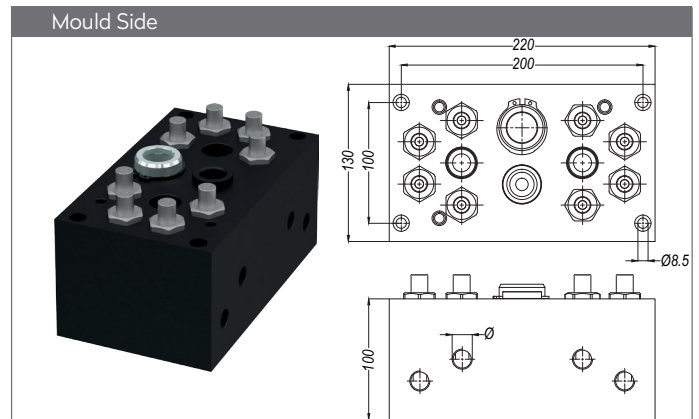
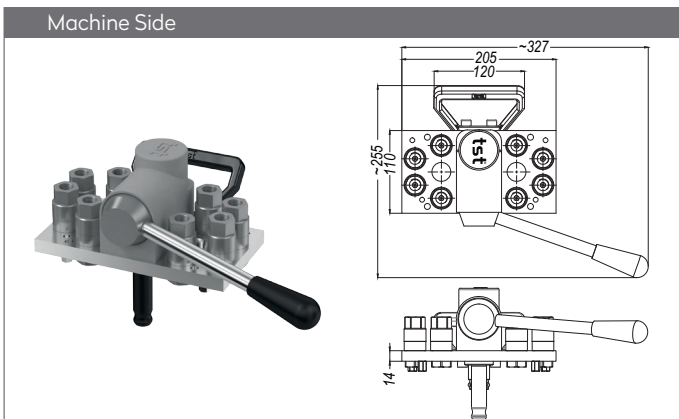
5 ↔ 5



Part No.	Unit	Ø
	-	without plugs
MM104.06-10 DGB17	10	104.06 DGB 17MP (3/8" BSP)
MM104.06-10 NGB17	10	104.06 NGB 17MP (3/8" NPT)

Part No.	Unit	Ø
	-	without plugs
MK104.06-10 G17	10	104.06 EUBM 24MP (M24 male)
	10	3/8" BSP female thread holes on sides
MK104.06-10 N17	10	104.06 EUBM 24MP (M24 male)
	10	3/8" NPT female thread holes on sides

4 ↔ 4

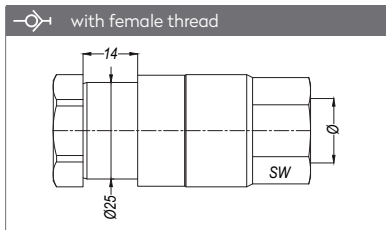


Part No.	Unit	Ø
	-	without plugs
MM104.06.08-10 DGB17	8	104.06 DGB 17MP (3/8" BSP)
MM104.06.08-10 NGB17	8	104.06 NGB 17MP (3/8" NPT)

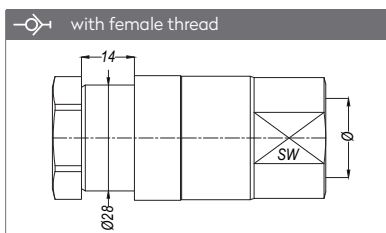
Part No.	Unit	Ø
	-	without plugs
MK104.06.08-10 G17	8	104.06 EUBM 24MP (M24 male)
	10	3/8" BSP female thread holes on sides
MK104.06.08-10 N17	8	104.06 EUBM 24MP (M24 male)
	10	3/8" NPT female thread holes on sides

# SERIE 104.06 / 104.08

## QUICK COUPLINGS SCHNELLKUPPLUNGEN

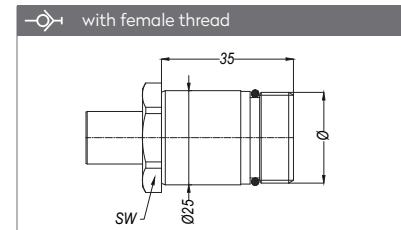


Part no.	Ø	SW
104.06 DGB 17 MP	BSP 3/8"	24
104.06 NGB 17 MP	NPT 3/8"	24

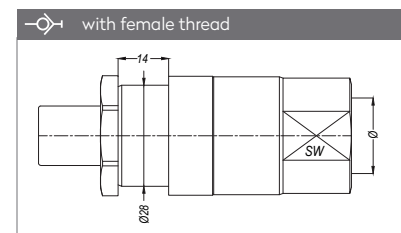


Part no.	Ø	SW
104.08 DGB 21 MP	BSP 1/2"	29
104.08 NGB 21 MP	NPT 1/2"	29

## PLUGS STECKNIPPEL



Part no.	Ø	SW
104.06 EUBM 24 MP	M24x1.5	26



Part no.	Ø	SW
104.08 DUB 21 MP	BSP 1/2"	24
104.08 NUB 21 MP	NPT 1/2"	24

### EF/ EM

ELECTRICAL CONNECTORS (Silvered)

ELEKTROSTECKER (Versilbert)

High Pressure Hydraulic Flash Faced  
 Multicoupling Systems with electrical connector

Hydraulische Multikupplungen für

Hochdruck in Leckgereier Ausführung mit Elektrostecker

Inserts	No of Pins	Ø Pins Or Socket mm	Current for each Pins in use (A)	Voltage (V)	Cross Section Of the connection Vire (mm <sup>2</sup> )	Part no.	
						Socket Inserts & Carrier Body (EF)	Pins Inserts & Carrier Body (EM)
	5 4 + Earth	3	27 Per pin	400	2.5 - 4	36002FA - P014 - 0530	36002MA - P014 - 0530
	7 6 + Earth	3	27 Per pin	400	2.5 - 4	36002FA - P014 - 0730	36002MA - P014 - 0730
	16 15 + Earth	2	27 Per pin	250	0.5 - 1.5	36002FA - P014 - 1620	36002MA - P014 - 1620
	16 15 + Earth	1.5	16 Per pin	250	0.5 - 1.5	36002FA - P014 - 1615	36002MA - P014 - 1615