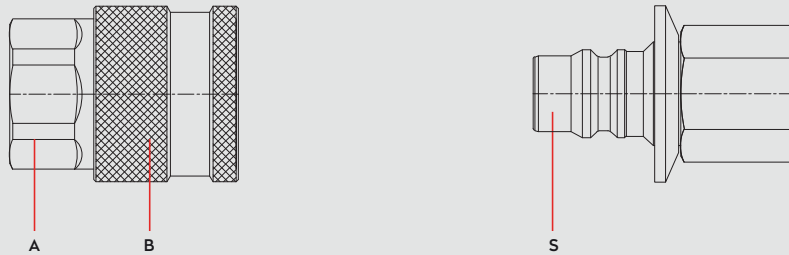




Materials



Material Code

- A = Hardened Steel - Zinc Plated
- B = Hardened Steel - Zinc Plated
- S = Hardened Steel - Zinc Plated

0 - 700 bar

-40°C to +105°C (NBR)

Shut Off Type

Applications

- Waterblast
- High Pressure
- Wireline - Grease Injection
- Water Jetting

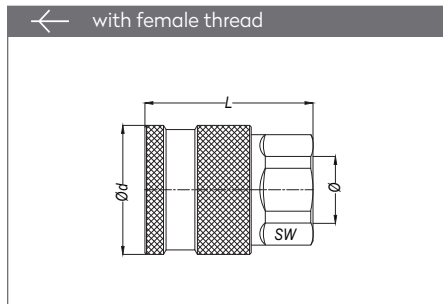
Compatible with

DIXON EA
PARKER WB
AERO QUIP FD69
SNAP - TITE 56 SERIES

DN 12 mm

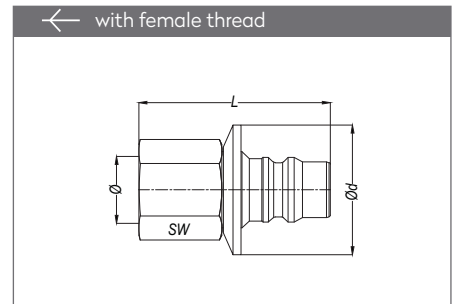
FLOW 180 lt/min

QUICK COUPLINGS SCHNELLKUPPLUNGEN



Part No.	Ø	SW	L	Ød
047 DGF 17	BSP 3/8"	32	52.7	40.5
047 DGF 21	BSP 1/2"	32	52.7	40.5
047 NGF 17	NPTF 3/8"-18	32	52.7	40.5
047 NGF 21	NPTF 1/2"-14	32	52.7	40.5

PLUGS STECKNIPPEL



Part No.	Ø	SW	L	Ød
047 DU 17	BSP 3/8"	1-1/8	60	Ø40.7
047 DU 21	BSP 1/2"	1-1/8	60	Ø40.7
047 NU 17	NPTF 3/8"-18	1-1/8	60	Ø40.7
047 NU 21	NPTF 1/2"-14	1-1/8	60	Ø40.7