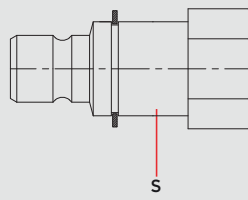
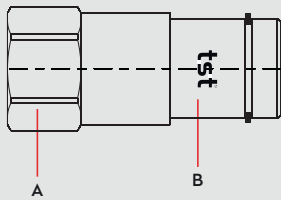


Materials




Material Code


A = Brass

B = Brass

S = Brass



0 - 16 bar



-26°C to + 200°C (FPM)

Shut Off Type



COUPLING
OV 200 - 01300
OV 200 - 00900
OV 100 - 01300

PLUG
OV 157 - 00700

International Profile

DN 9 mm

Multi Couplings Systems for quick changing of injection moulding and die cast equipments

Multikupplungensysteme für schnelles Wechseln und Verbinden der Kokillen und Spritzgußformen

Options

NICKEL

COLOURED PLATE

Applications

- Temperature controlling

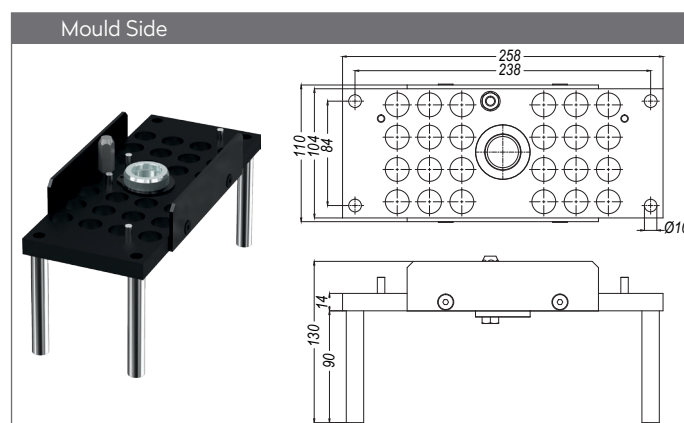
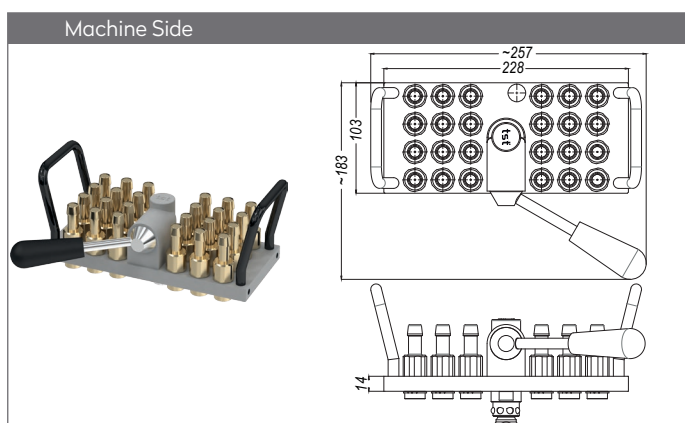
Compatible with

12 ⇌ 12

SERIE 009M

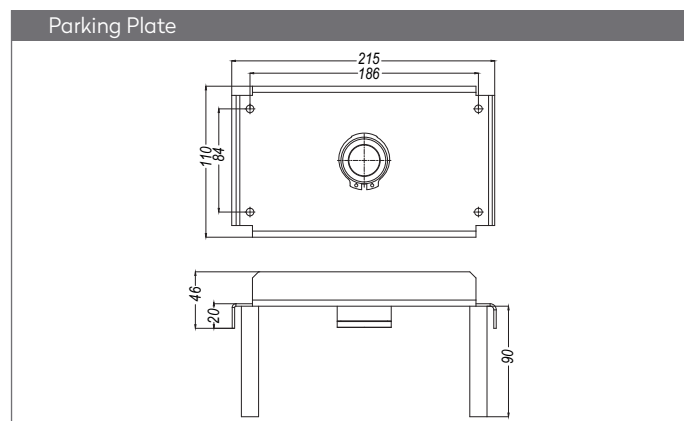
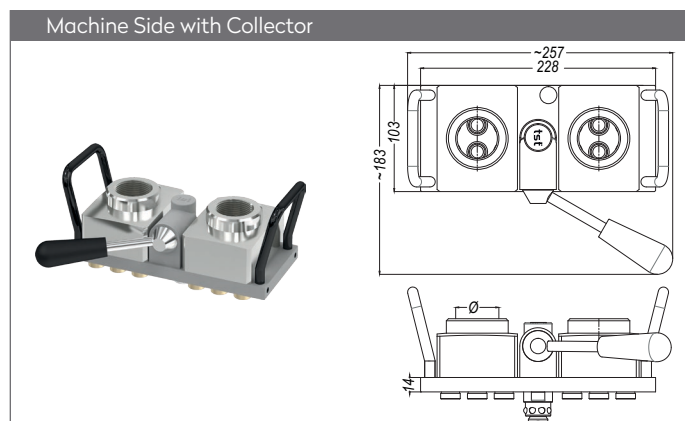
Multi Couplings Systems for quick changing of injection moulding and die cast equipments

Multikupplungensysteme für schnelles Wechseln und Verbinden der Kokillen und Spritzgußformen



Part No.	Unit	Ø
MM009.24	-	without couplings
MM009.24 HGB 10	24	Hose tail 10 mm
MM009.24 HGB 12	24	Hose tail 12 mm
MM009.24 FGB 10	24	Push-Lock Hose tail 10 mm
MM009.24 FGB 13	24	Push-Lock Hose tail 13 mm
MM009.24 DGB 17	24	BSP female 3/8"
MM009.24 NGB 17	24	NPT female 3/8"

Part No.	Unit	Ø
MK009.24	-	without plugs
MK009.24 DUB 17	24	BSP female 3/8" with valve
MK009.24 NUB 17	24	NPT female 3/8" with valve
MK009.24 DU 17	24	BSP female 3/8" without valve
MK009.24 NU 17	24	NPT female 3/8" without valve



Part No.	Unit	Ø
MM009.24C	24	BSP female 1.1/4"
MM009.24CN	24	NPT female 1.1/4"

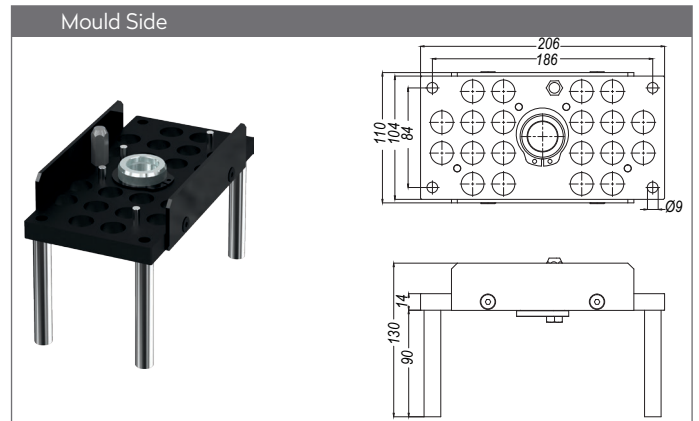
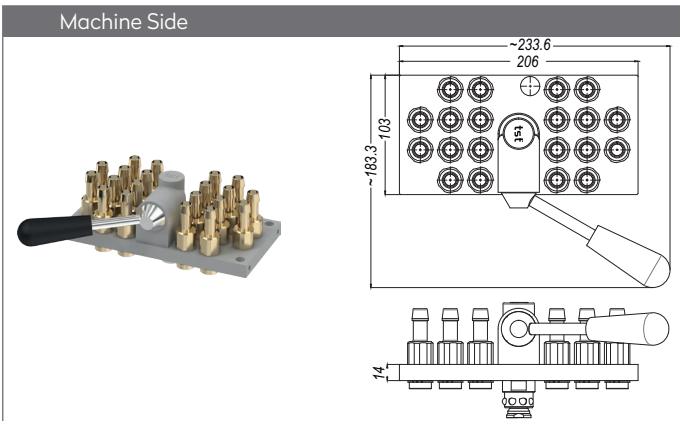
Part No.
MM109.24 P

10 ↔ 10

SERIE 009M

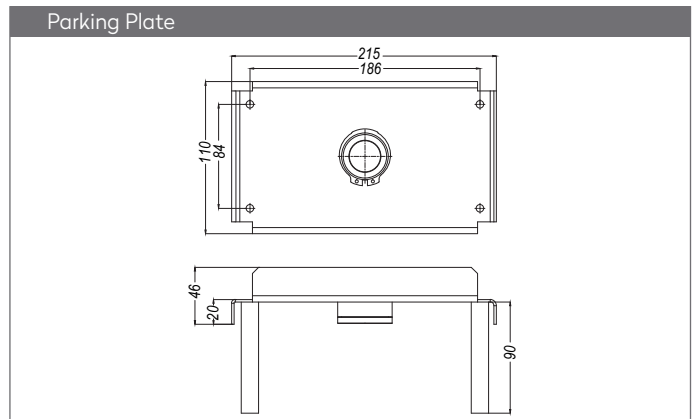
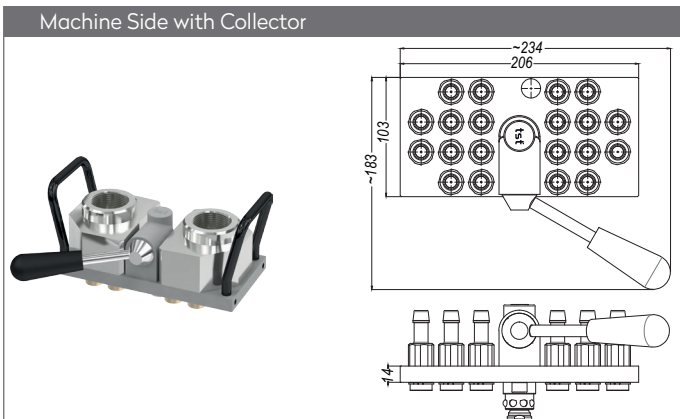
Multi Couplings Systems for quick changing of injection moulding and die cast equipments

Multikupplungensysteme für schnelles Wechseln und Verbinden der Kokillen und Spritzgußformen



Part No.	Unit	Ø
MM009.20	-	without couplings
MM009.20 HGB 10	20	Hose tail 10 mm
MM009.20 HGB 12	20	Hose tail 12 mm
MM009.20 FGB 10	20	Push-Lock Hose tail 10 mm
MM009.20 FGB 13	20	Push-Lock Hose tail 13 mm
MM009.20 DGB 17	20	BSP female 3/8"
MM009.20 NGB 17	20	NPT female 3/8"

Part No.	Unit	Ø
MK009.20	-	without plugs
MK009.20 DUB 17	20	BSP female 3/8" with valve
MK009.20 NUB 17	20	NPT female 3/8" with valve
MK009.20 DU 17	20	BSP female 3/8" without valve
MK009.20 NU 17	20	NPT female 3/8" without valve



Part No.	Unit	Ø
MM009.20C	20	BSP female 1.1/4"
MM009.20CN	20	NPT female 1.1/4"

Part No.
MM109.24 P

MULTICOUPLINGS

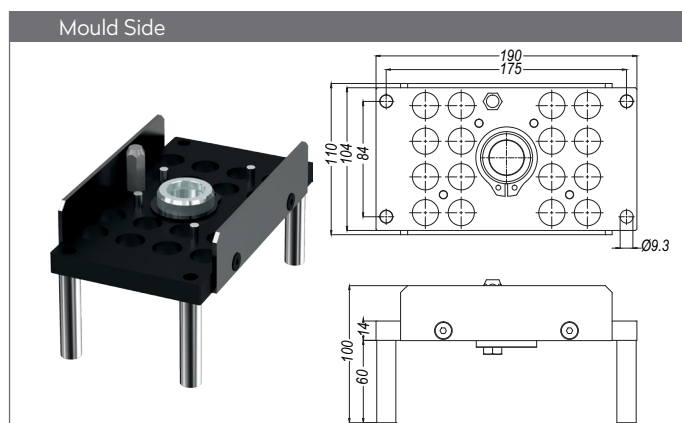
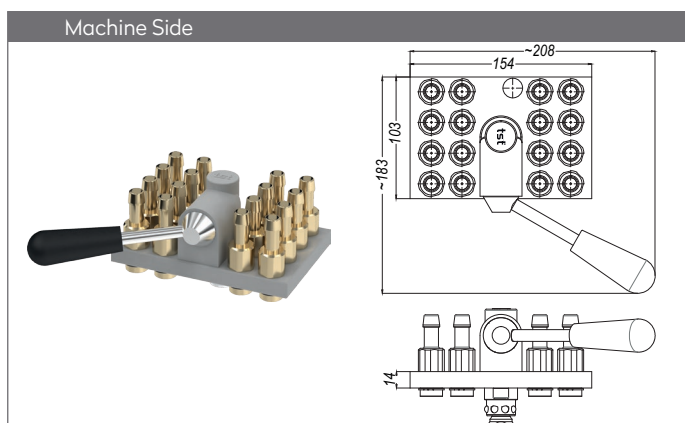
MULTIKUPPLUNGEN

8 ↔ 8

SERIE 009M

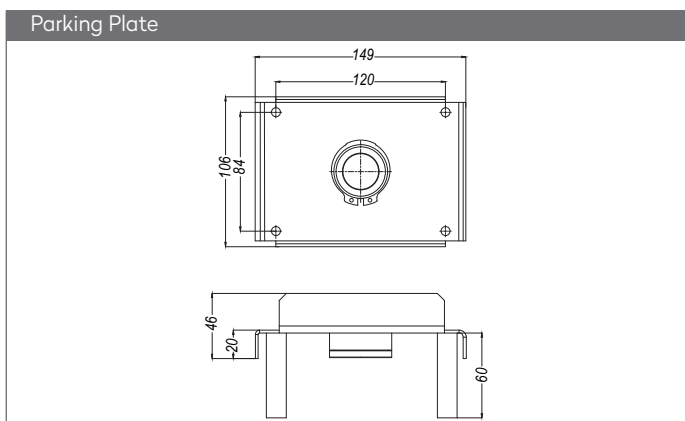
Multi Couplings Systems for quick changing of injection moulding and die cast equipments

Multikupplungensysteme für schnelles Wechseln und Verbinden der Kokillen und Spritzgußformen



Part No.	Unit	Ø
MM009.16	-	without couplings
MM009.16 HGB 10	16	Hose tail 10 mm
MM009.16 HGB 12	16	Hose tail 12 mm
MM009.16 FGB 10	16	Push-Lock Hose tail 10 mm
MM009.16 FGB 13	16	Push-Lock Hose tail 13 mm
MM009.16 DGB 17	16	BSP female 3/8"
MM009.16 NGB 17	16	NPT female 3/8"

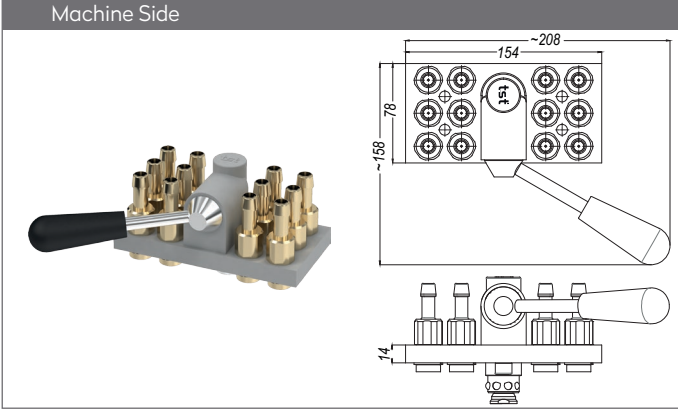
Part No.	Unit	Ø
MK009.16	-	without plugs
MK009.16 DUB 17	16	BSP female 3/8" with valve
MK009.16 NUB 17	16	NPT female 3/8" with valve
MK009.16 DU 17	16	BSP female 3/8" without valve
MK009.16 NU 17	16	NPT female 3/8" without valve



Part No.
MM109.16 P

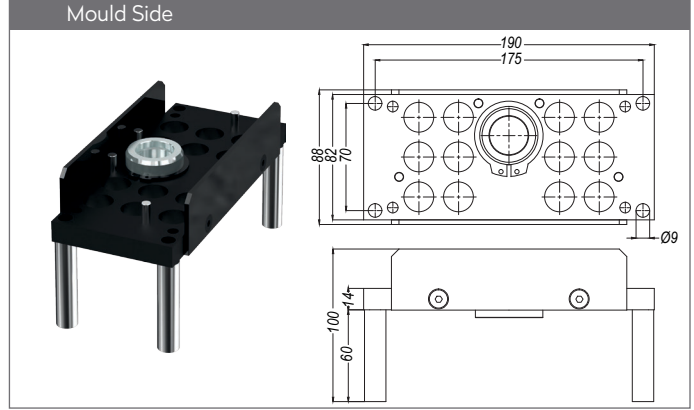
SERIE 009M

Machine Side



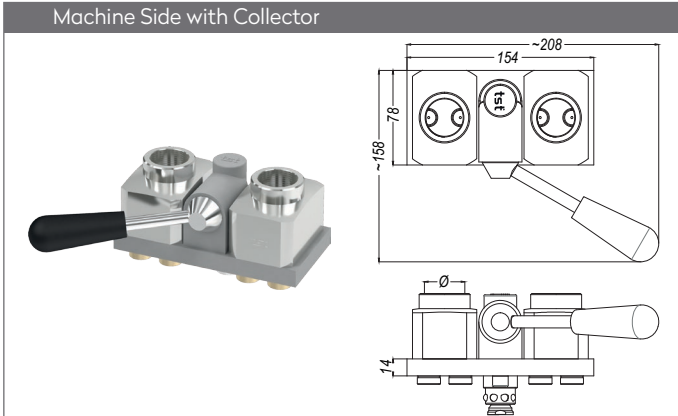
Part No.	Unit	Ø
MM009.12	-	without couplings
MM009.12 HGB 10	12	Hose tail 10 mm
MM009.12 HGB 12	12	Hose tail 12 mm
MM009.12 FGB 10	12	Push-Lock Hose tail 10 mm
MM009.12 FGB 13	12	Push-Lock Hose tail 13 mm
MM009.12 DGB 17	12	BSP female 3/8"
MM009.12 NGB 17	12	NPT female 3/8"

Mould Side



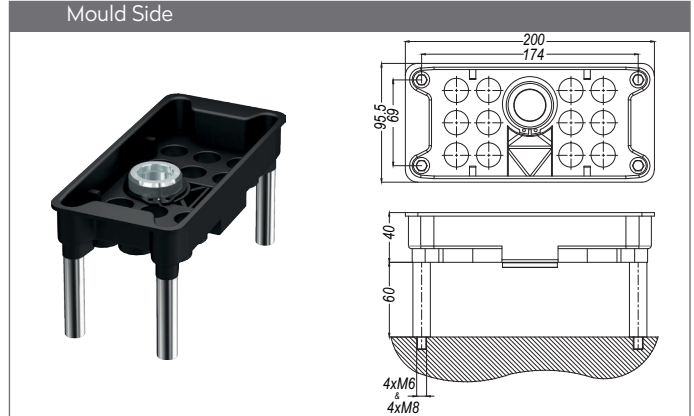
Part No.	Unit	Ø
MK009.12	-	without plugs
MK009.12 DUB 17	12	BSP female 3/8" with valve
MK009.12 NUB 17	12	NPT female 3/8" with valve
MK009.12 DU 17	12	BSP female 3/8" without valve
MK009.12 NU 17	12	NPT female 3/8" without valve

Machine Side with Collector



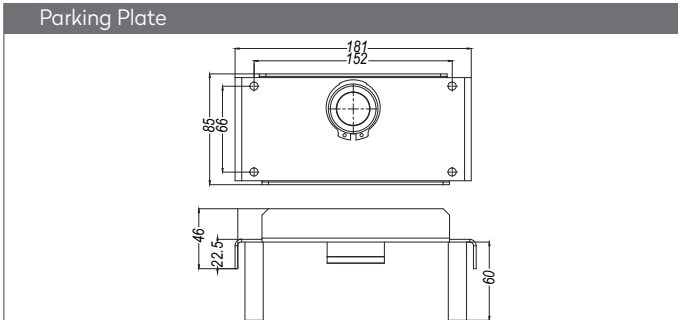
Part No.	Unit	Ø
MM009.12C	12	BSP female 1"
MM009.12CN	12	NPT female 1"

Mould Side



Part No.	Unit	Ø
MK009.12K	-	without plugs
MK009.12K DUB 17	12	BSP female 3/8" with valve
MK009.12K NUB 17	12	NPT female 3/8" with valve
MK009.12K DU 17	12	BSP female 3/8" without valve
MK009.12K NU 17	12	NPT female 3/8" without valve

Parking Plate

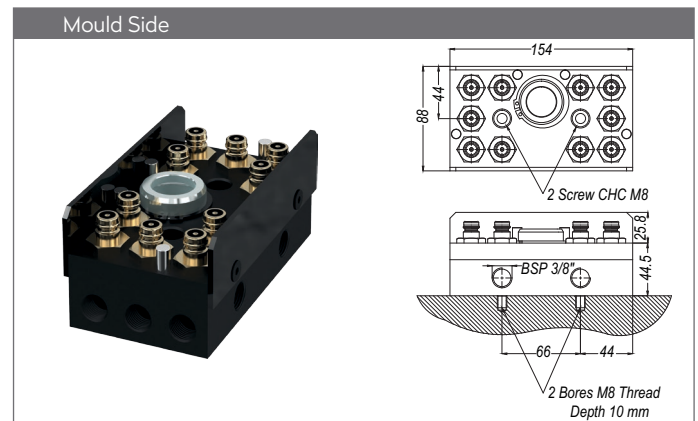
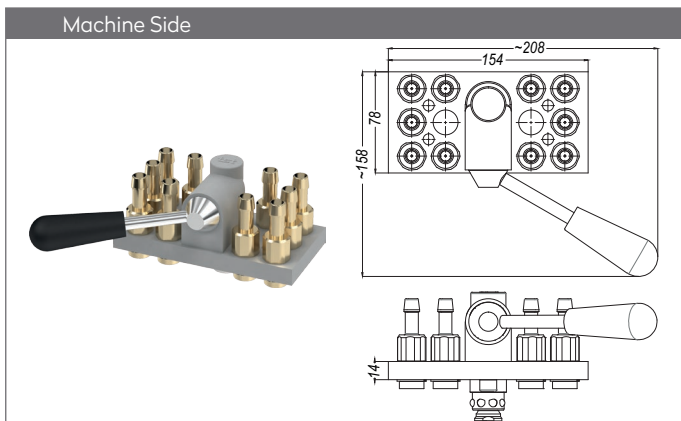


Part No.
MM109.12 P

5 ↔ 5

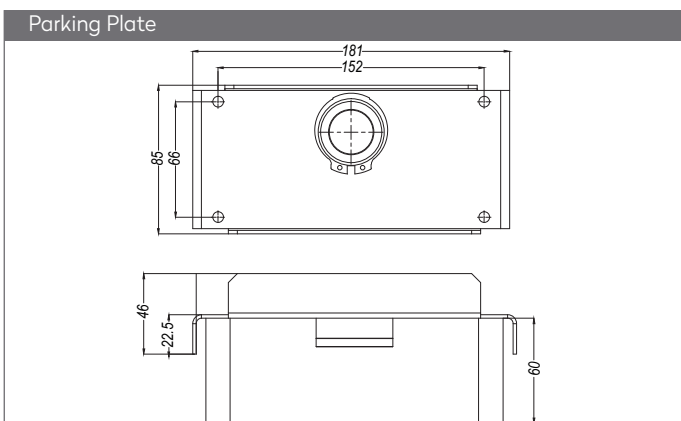
SERIE 009M

Multi Couplings Systems for quick changing of injection moulding and die cast equipments

Multikupplungensysteme für schnelles Wechseln und Verbinden der Kokillen und Spritzgußformen


Part No.	Unit	Ø
MM009.12	-	without couplings
MM009.10 HGB 10	10	Hose tail 10 mm
MM009.10 HGB 12	10	Hose tail 12 mm
MM009.10 FGB 10	10	Push-Lock Hose tail 10 mm
MM009.10 FGB 13	10	Push-Lock Hose tail 13 mm
MM009.10 DGB 17	10	BSP female 3/8"
MM009.10 NGB 17	10	NPT female 3/8"

Part No.	Unit	Ø
MK009.10	10	BSP male 1/2" without valve
MK009.10 V	10	BSP male 1/2" with valve



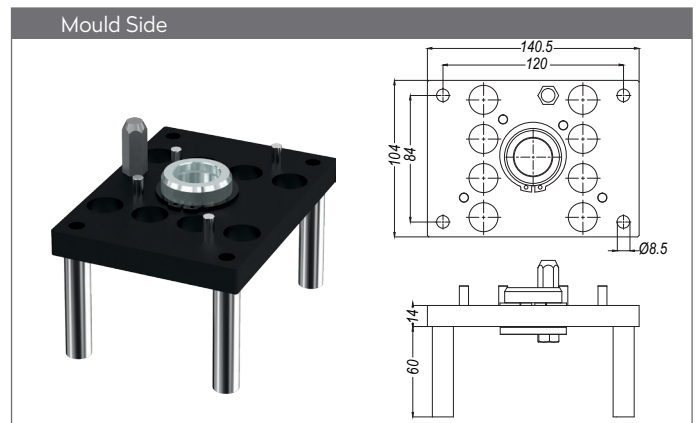
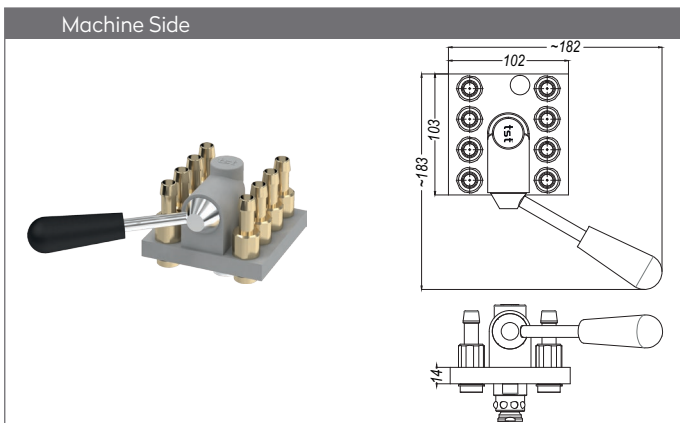
Part No.
MM109.12 P



SERIE 009M

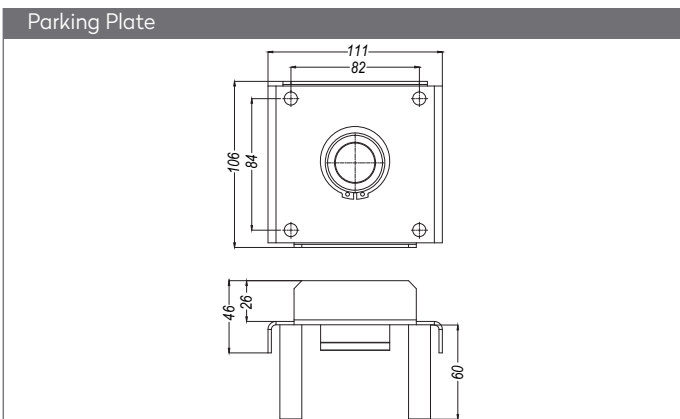
Multi Couplings Systems for quick changing of injection moulding and die cast equipments

Multikupplungensysteme für schnelles Wechseln und Verbinden der Kokillen und Spritzgußformen



Part No.	Unit	Ø
MM009.08	-	without couplings
MM009.08 HGB 10	8	Hose tail 10 mm
MM009.08 HGB 12	8	Hose tail 12 mm
MM009.08 FGB 10	8	Push-Lock Hose tail 10 mm
MM009.08 FGB 13	8	Push-Lock Hose tail 13 mm
MM009.08 DGB 17	8	BSP female 3/8"
MM009.08 NGB 17	8	NPT female 3/8"

Part No.	Unit	Ø
MK009.08	-	without plugs
MK009.08 DUB 17	8	BSP female 3/8" with valve
MK009.08 NUB 17	8	NPT female 3/8" with valve
MK009.08 DU 17	8	BSP female 3/8" without valve
MK009.08 NU 17	8	NPT female 3/8" without valve



Part No.
MM109.08 P

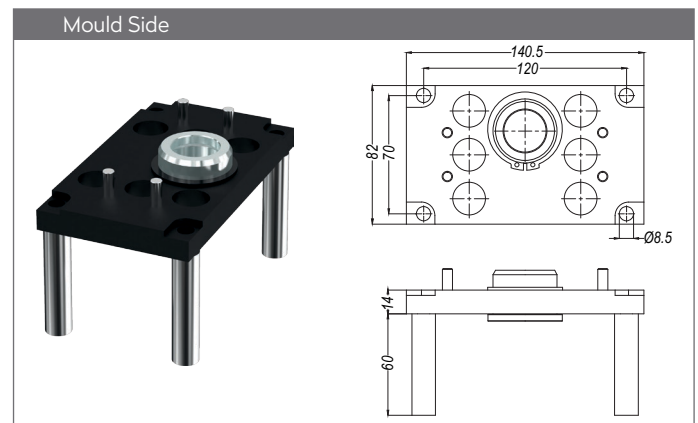
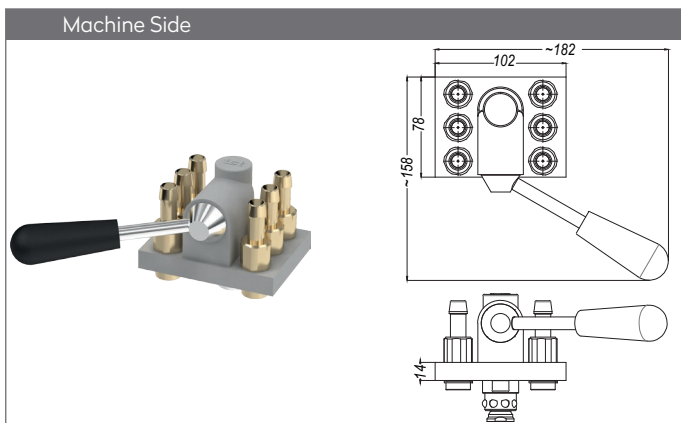
MULTICOUPLINGS
 MULTIKUPPLUNGEN

3 ↔ 3

SERIE 009M

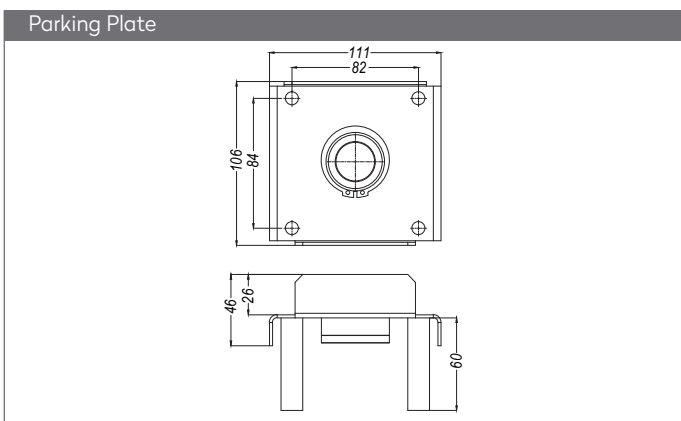
Multi Couplings Systems for quick changing of injection moulding and die cast equipments

Multikupplungensysteme für schnelles Wechseln und Verbinden der Kokillen und Spritzgußformen



Part No.	Unit	Ø
MM009.06	-	without couplings
MM009.06 HGB 10	6	Hose tail 10 mm
MM009.06 HGB 12	6	Hose tail 12 mm
MM009.06 FGB 10	6	Push-Lock Hose tail 10 mm
MM009.06 FGB 13	6	Push-Lock Hose tail 13 mm
MM009.06 DGB 17	6	BSP female 3/8"
MM009.06 NGB 17	6	NPT female 3/8"

Part No.	Unit	Ø
MK009.06	-	without plugs
MK009.06 DUB 17	6	BSP female 3/8" with valve
MK009.06 NUB 17	6	NPT female 3/8" with valve
MK009.06 DU 17	6	BSP female 3/8" without valve
MK009.06 NU 17	6	NPT female 3/8" without valve

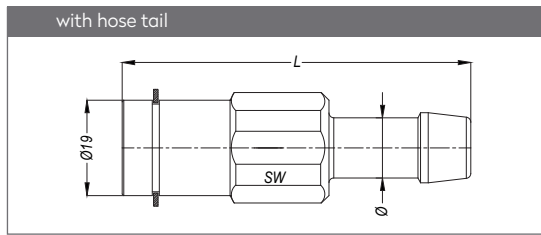


Part No.
MM109.08 P

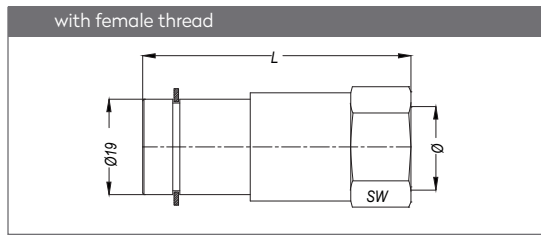
MULTICOUPLINGS
MULTIKUPPLUNGEN

SERIE 009M

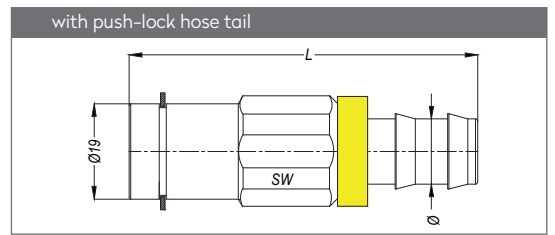
QUICK COUPLINGS SCHNELLKUPPLUNGEN



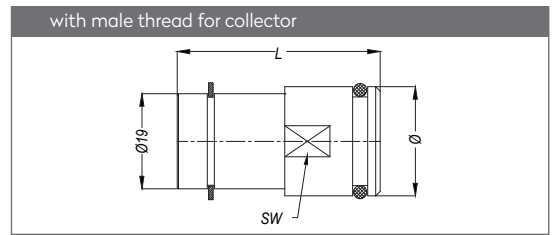
With Valve	Without Valve	SW	Ø	L
MM009 HGB 10	MM009 HGF 10	21	10	69.5
MM009 HGB 12	MM009 HGF 12	21	12	69.5



With Valve	Without Valve	SW	Ø	L
MM009 DGB 17	MM009 DGF 17	22	BSP 3/8"	53.5
MM009 NGB 17	MM009 NGF 17	22	NPT 3/8"	53.5

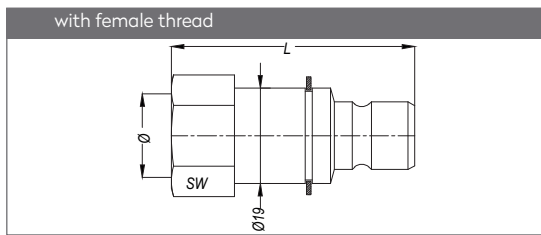


With Valve	Without Valve	SW	Ø	L
MM009 FGB 10	MM009 FGF 10	21	10	65.5
MM009 FGB 13	MM009 FGF 13	21	13	69.5



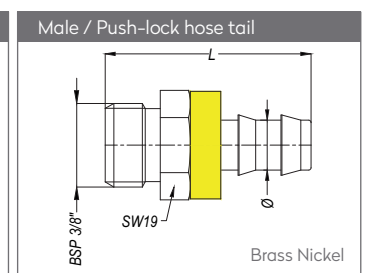
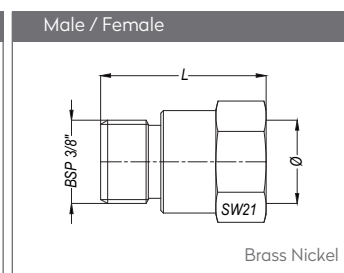
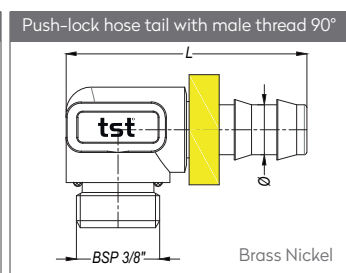
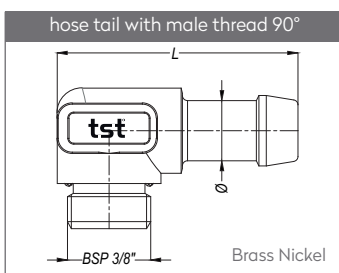
With Valve	Without Valve	SW	Ø	L
MM009 EGB 00	-	21	21.8	40.5

PLUGS STECKNIPPEL



With Valve	Without Valve	SW	Ø	L
MK009 DUB 17	MK009 DUF 17	21	BSP 3/8"	47.7
MK009 NUB 17	MK009 NUF 17	21	NPT 3/8"	47.7

ACCESSORIES ZUBEHÖR



Part No.	Ø	L
109 EB 17.10	10	49
109 EB 17.12	12	49

Part No.	Ø	L
109 EF 17.10	10	49
109 EF 17.13	13	53.5

Part No.	Ø	L
109 EN 17	BSP 3/8"	33
109 NN 17	NPT 3/8"	33

Part No.	Ø	L
EHF 17-10	10	41
EHF 17-13	13	45