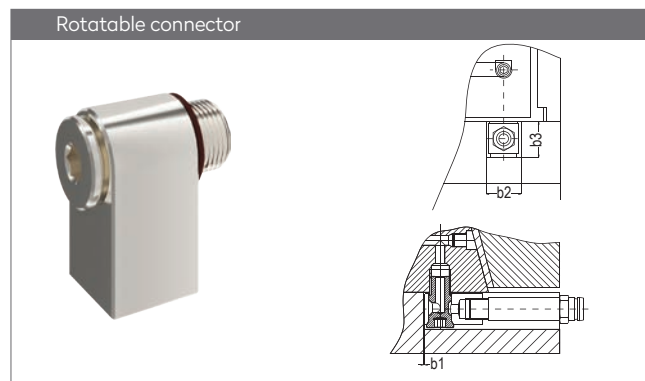


MOULD ACCESSORIES



Part No.	b1	b2	b3
HDB10 G1/8"	1	16	17
HDM10 M10x1	1	16	17
HDB13 G1/4"	1	16	23
HDM14 M14x1.5	1	16	23
HDB21 G1/2"	1	16	35.5