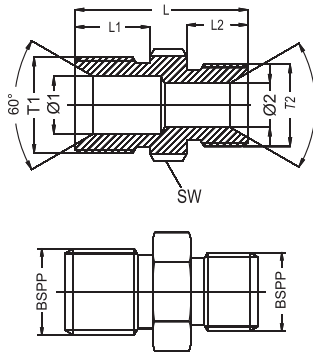


Male /male adaptors BSPP 60° cone seated boty ends
Außengewinde BSPP mit 60° Dichtkonus auf beiden Seiten
Material : Steel + Cr3 / Chrome plated steel

Stahl verzinkt

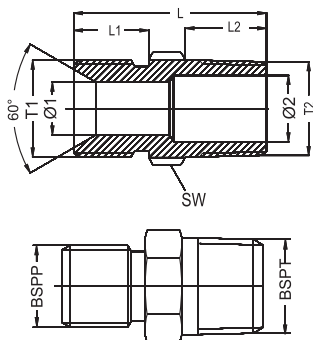


Order No Bestellnr.	T1	T2	L	L1	L2	Ø1	Ø2	SW	Bar Max. Working Pressure Max. Betriebsdruck
EG 10-10	G 1/8"	G 1/8"	26	10	10	4	4	13	440
EG 10-10S6*	G 1/8"	G 1/8"	24	8	8	5	5	14	440
EG 13-10	G 1/4"	G 1/8"	28	12	10	6	4	14	420
EG 13-13	G 1/4"	G 1/4"	30	12	12	6	6	14	420
EG 13-13S6*	G 1/4"	G 1/4"	30	11	11	7	7	17	420
EG 17-13	G 3/8"	G 1/4"	32	14	12	9	9	17	350
EG 17-13	G 3/8"	G 1/4"	31	12	11	7	7	21	350
EG 17-17	G 3/8"	G 3/8"	34	14	14	9	9	19	350
EG 17-17S6*	G 3/8"	G 3/8"	32	12	12	10	10	23	350
EG 21-17	G 1/2"	G 3/8"	38	16	14	12	9	22	310
EG 21-21	G 1/2"	G 1/2"	40	16	16	12	12	22	310
EG 21-21S6*	G 1/2"	G 1/2"	36	14	14	14	14	24	310
EG 26-21	G 3/4"	G 1/2"	43	18	16	17	12	27	250
EG 26-26	G 3/4"	G 3/4"	45	18	18	14	14	27	250
EG 26-26S6*	G 3/4"	G 3/4"	42	16	16	17	17	29	250
EG 33-26	G 1"	G 3/4"	48	20	18	21.5	17	36	200
EG 33-33	G 1"	G 1"	50	20	20	21.5	21.5	36	200
EG 42-33	G 1.1/4"	G 1"	56	24	20	28	21.5	46	200
EG 42-42	G 1.1/4"	G 1.1/4"	60	24	24	28	28	46	200
EG 48-42	G 1.1/2"	G 1.1/4"	62	26	24	33	28	50	180
EG 48-48	G 1.1/2"	G 1.1/2"	64	26	26	33	33	50	180
EG 60-60	G 2"	G 2"	67	26	26	45	45	65	150

* S6 → AISI 316L

Male /male adaptors BSPP 60° cone seated to BSPT
Außengewinde BSPP mit 60° Dichtkonus und auf der ahderen side BSPT
Material : Steel + Cr3 / Chrome plated steel

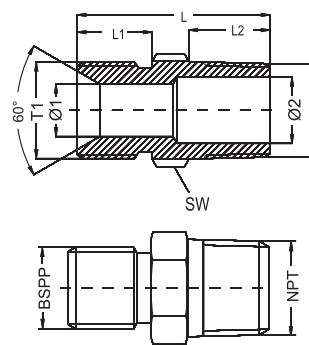
Stahl verzinkt



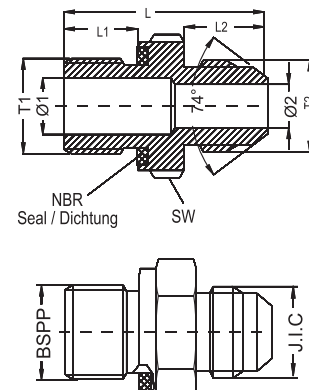
Order No Bestellnr.	T1	T2	L	L1	L2	Ø1	Ø2	SW	Bar Max. Working Pressure Max. Betriebsdruck
ER 13-10	G 1/4"	R 1/8"	28	12	10	6	5	14	420
ER 13-13	G 1/4"	R 1/4"	32	12	14	6	7	14	420
ER 13-13S6*	G 1/4"	R 1/4"	32	12	14	6	7	14	420
ER 13-17	G 1/4"	R 3/8"	32	12	14	6	10.5	17	310
ER 17-13	G 3/8"	R 1/4"	34	14	14	9	7	17	350
ER 17-17	G 3/8"	R 3/8"	34	14	14	9	10.5	17	310
ER 17-17S6*	G 3/8"	R 3/8"	34	14	14	9	10.5	17	310
ER 17-21	G 3/8"	R 1/2"	41	14	19	9	13.5	22	290
ER 21-17	G 1/2"	R 3/8"	38	16	14	12	10.5	22	310
ER 21-21	G 1/2"	R 1/2"	43	16	19	12	13.5	22	290
ER 21-21S6*	G 1/2"	R 1/2"	43	16	19	12	13.5	22	290
ER 26-21	G 3/4"	R 1/2"	46	18	19	17	13.5	27	250
ER 26-26	G 3/4"	R 3/4"	46	18	19	17	18	27	250
ER 26-26S6*	G 3/4"	R 3/4"	46	18	19	17	18	27	250
ER 26-33	G 3/4"	R 1"	51	18	23	17	24	36	200
ER 33-26	G 1"	R 3/4"	49	20	19	21.5	18	36	200
ER 33-33	G 1"	R 1"	53	20	23	21.5	24	36	200
ER 33-33S6*	G 1"	R 1"	53	20	23	21.5	24	36	200
ER 33-42	G 1"	R 1.1/4"	56	20	24	21.5	30	46	200
ER 42-33	G 1.1/4"	R 1"	59	24	23	28	24	46	200
ER 42-42	G 1.1/4"	R 1.1/4"	60	24	24	28	30	46	200
ER 42-48	G 1.1/4"	R 1.1/2"	62	24	24	28	33	50	200
ER 48-42	G 1.1/2"	R 1.1/4"	62	26	24	33	28	50	180
ER 48-48	G 1.1/2"	R 1.1/2"	64	26	26	33	33	50	180
ER 60-60	G 2"	R 2"	69	26	28	45	45	65	180

* S6 → AISI 316L

Male /male adaptors BSPP 60° cone seated to NPT
Ausengewinde BSPP mit 60° Dichtkonus und auf der anderen Seite NPT
Material : Steel + Cr3 / Chrome plated steel
Stahl verzinkt

	Order No Bestellnr.	T1	T2	L	L1	L2	Ø1	Ø2	SW	Bar Max. Working Pressure Max. Betriebsdruck
	ET 13-10	G 1/4"	NPT 1/8"	28	12	10	6	5	14	440
	ET 13-13	G 1/4"	NPT 1/4"	32	12	14	6	7	14	420
	ET 13-17	G 1/4"	NPT 3/8"	33	12	14	6	10.5	19	310
	ET 17-13	G 3/8"	NPT 1/4"	34	14	14	9	7	17	350
	ET 17-17	G 3/8"	NPT 3/8"	35	14	14	9	10.5	19	310
	ET 17-21	G 3/8"	NPT 1/2"	41	14	19	9	13.5	22	290
	ET 21-17	G 1/2"	NPT 3/8"	38	16	14	12	10.5	22	310
	ET 21-21	G 1/2"	NPT 1/2"	43	16	19	12	13.5	22	290
	ET 21-26	G 1/2"	NPT 3/4"	44	16	19	12	18	27	250
	ET 26-21	G 3/4"	NPT 1/2"	46	18	19	17	13.5	27	250
	ET 26-26	G 3/4"	NPT 3/4"	46	18	19	17	18	27	250
	ET 26-33	G 3/4"	NPT 1"	51	18	23	17	24	36	200
	ET 33-26	G 1"	NPT 3/4"	49	20	19	21.5	18	36	200
	ET 33-33	G 1"	NPT 1"	53	20	23	21.5	24	36	200
	ET 33-42	G 1"	NPT 1.1/4"	56	20	24	21.5	30	46	200
	ET 42-33	G 1.1/4"	NPT 1"	59	24	23	28	24	46	200
	ET 42-42	G 1.1/4"	NPT 1.1/4"	60	24	24	28	30	46	200
ET 48-48	G 1.1/2"	NPT 1.1/2"	64	26	26	33	33	50	180	
ET 60-60	G 2"	NPT 2"	69	26	28	45	45	65	150	

Male / Male adaptors BSPP to JIC 37° are being met ISO 8434
Ausengewinde BSPP zu JIC 37° nach ISO 8434
Material : Steel + Cr3 / Chrome plated steel
Stahl verzinkt

	Order No Bestellnr.	T1	T2	L	L1	L2	Ø1	Ø2	SW	Bar Max. Working Pressure Max. Betriebsdruck
	EJ 13-11	G 1/4"	UNF 7/16"-20	31.5	11	13.5	5.2	5.2	19	350
	EJ 13-13	G 1/4"	UNF 1/2"-20	31.5	11	13.5	6	6	19	350
	EJ 13-14	G 1/4"	UNF 9/16"-18	33	11	15	6.5	6.5	19	350
	EJ 13-19	G 1/4"	UNF 3/4"-16	36	11	18	6	9	19	350
	EJ 17-11	G 3/8"	UNF 7/16"-20	33	11	13.5	9	5.2	22	350
	EJ 17-13	G 3/8"	UNF 1/2"-20	33	11	13.5	9	6	22	350
	EJ 17-14	G 3/8"	UNF 9/16"-18	34.5	11	15	9	6.5	22	350
	EJ 17-19	G 3/8"	UNF 3/4"-16	33.5	11	18	9	9	22	350
	EJ 17-22	G 3/8"	UNF 7/8"-14	37.5	11	18	9	11.8	23	350
	EJ 21-14	G 1/2"	UNF 9/16"-20	39	13.6	15	11.5	6.5	27	310
	EJ 21-19	G 1/2"	UNF 3/4"-16	42	13.6	18	9	9	27	310
	EJ 21-22	G 1/2"	UNF 7/8"-14	43	13.6	19	11.8	11.8	27	310
	EJ 21-27	G 1/2"	UNF 1.1/16"-12	45	13.6	21	11.5	14.8	27	310
	EJ 26-19	G 3/4"	UNF 3/4"-16	44.5	15	18	15	9	32	250
	EJ 26-22	G 3/4"	UNF 7/8"-14	45.5	15	19	15	11.8	32	250
	EJ 26-27	G 3/4"	UNF 1.1/16"-12	47.5	15	21	15	15	32	250
	EJ 26-33	G 3/4"	UNF 1.5/16"-12	52	15	25.5	15	20	36	250
EJ 33-27	G 1"	UNF 1.1/16"-12	52	18	21	20	15	42	200	
EJ 33-33	G 1"	UNF 1.5/16"-12	57	18	25.5	20	20	42	200	
EJ 33-41	G 1"	UNF 1.5/8"-12	60	18	25.5	20	26	42	200	
EJ 42-33	G 1.1/4"	UNF 1.5/16"-12	60	20	25.5	26	20	50	200	
EJ 42-41	G 1.1/4"	UNF 1.5/8"-12	65	20	28.4	26	26	50	200	
EJ 42-48	G 1.1/4"	UNF 1.7/8"-12	67	20	33	30	30	50	200	